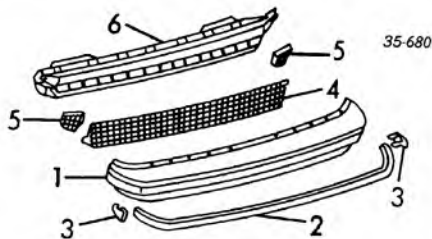


†Included w/License Lamp Assy

REAR BUMPER

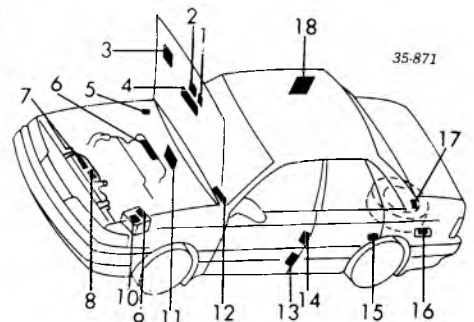


- 1 **Face Bar (Cover)**
DX Model, LX Model G116-50-221
GT Model (P) G137-50-221
(P) Paint to Match
- 2 **Moulding, Cover**
Black G117-50-235
Red G118-50-235
- 3 **Piece, End Moulding**
Black G114-50-058A
Red G118-50-058A
- 4 **Absorber, Impact**
Center G032-50-291
- 5 **Outer** R/L G032-50-292-3
- 6 **Bar, Reinforcement**
Screw, Face Bar (19) G116-50-215

MAZDA 626 1988-92

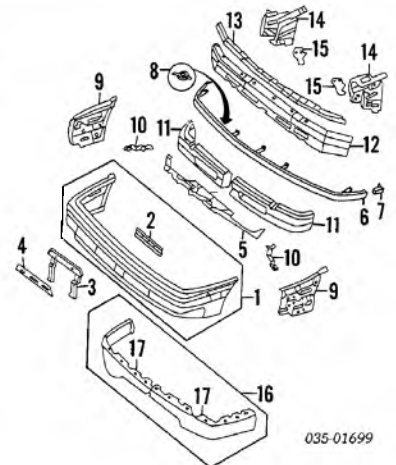
SECTION INDEX

A/C /HEATER.....	144
A/C REFRIGERANT CAPACITIES.....	144
ABS/BRAKES.....	145
AIR CLEANER.....	143
BACK WINDOW.....	152
CENTER CONSOLE.....	148
CLEAR COAT IDENTIFICATION.....	141
COOLING.....	142
COWL & DASH.....	148
CRUISE CONTROL SYSTEM.....	145
ELECTRICAL.....	142
EMISSION SYSTEM.....	142
ENGINE.....	143
ENGINE MOUNTS.....	143
EXHAUST.....	143
FRONT BUMPER.....	141
FRONT DOOR.....	149
FRONT DRIVE AXLE.....	146
FRONT FENDER.....	144
FRONT INNER STRUCTURE.....	145
FRONT LAMPS.....	142
FRONT SEAT.....	149
FRONT STEERING LINKAGE/GEAR.....	146
FRONT SUSPENSION.....	145
FUEL TANK.....	154
GRILLE.....	142
HOOD.....	144
INFORMATION LABELS.....	141
INSTRUMENT PANEL.....	148
INTERCOOLER.....	143
LIFTGATE.....	153
LUGGAGE LID.....	153
PAINT CODE LOCATION.....	141
QUARTER GLASS.....	153
QUARTER PANEL.....	152
REAR BODY.....	154
REAR BUMPER.....	156
REAR DOOR.....	150
REAR LAMPS.....	155
REAR SEAT.....	149
REAR STEERING LINKAGE/GEAR.....	154
REAR SUSPENSION.....	154
ROCKER/PILLARS/FLOOR.....	148
ROOF.....	151
SEAT BELTS.....	149
STEERING PUMP.....	147
STEERING WHEEL/COLUMN.....	147
SUNROOF.....	151
TURBOCHARGER.....	143
UNDERHOOD DIMENSIONS.....	144
WHEEL.....	145
WINDSHIELD.....	147



- 9 **Battery†** FA03-69-064A
- 10 **Battery†** FA01-69-064B
- †Order by Application
- 11 **Model Plate** S047-68-425A
- 12 **Plate Caution**
USA Built GJ51-69-068A
Japan Built GJ21-69-068A
- 13 **Tire**
w/ Turbo
1988-89
To 8-1-88 GN64-69-014A
From 8-1-88 GJ26-69-014
1990-92
2WS GN64-69-014A
4WS GJ26-69-014
w/o Turbo GJ21-69-014A
- 14 **Caution** 88-89 DX01-69-A16B
90-92 NA01-69-C11A
BA06-72-301
- 15 **Child Proof**
- 16 **Gasoline** 88-89 UB40-69-C61
90-92 UB40-69-C61
88-89 GL02-69-073
90-92 GL01-69-073
- 17 **Temporary Tire**
- 18 **Fuel Economy**
Canada N.A.

FRONT BUMPER



- 1 **Cover Assy, Front**
1988-89 (P) GJ31-50-030
DX Model G230-50-030
LX, Turbo, 4WS
1990-92 G230-50-030
Body Color/Black (P)
(P) Paint to Match
- 2 **Brkt, License†** H005-50-060
†Included w/Front Cover Assy
- 3 **Frame, License** GJ21-50-180
- 4 **Holder, License** GJ21-50-183
- 5 **Cover, Under** GJ21-50-060A
- 6 **Moulding Set, Below Grille** 8AG1-50-F50
- 7 **Protector, Midg End (a)** R G225-50-F53A
L G225-50-F54A
- 8 **Clip, Moulding (a)** R/L G225-50-F56A
(a) Included w/Below Grille Moulding Set
- 9 **Slide, Support** R/L G230-50-056-7
- 10 **Bracket, Side** R/L GJ21-50-150
- 11 **Absorber, Impact** R GJ21-50-111
L GJ21-50-112
- 12 **Bar, Reinforcement** GJY0-50-07X
- 13 **Reinforcement, Upper** G230-50-072
- 14 **Stay, Support** R GJ21-50-080B
L GJ21-50-090C
- 15 **Cover, Stay** R/L GJ21-50-089
- 16 **Panel Assy, Valance** 8AG1-51-9H0
- 17 **Panel, Valance (b)** R GJ23-51-9K1
L GJ23-51-9L1
(b) Included w/Valance Panel Assy
- Plate, Baffle**
USA Built R GN51-43-67X

PAINT CODE LOCATION

Paint code located on right side of cowl panel or left lock pillar.

CLEAR COAT IDENTIFICATION

All metallic colors and White (Code VC) are clear coat.

INFORMATION LABELS

†Illustration Located in Next Column

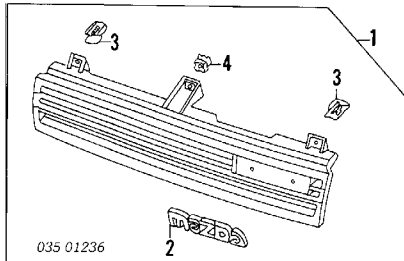
- 1 **Caution†** GN57-61-439
- 2 **Oil†** 88-89 GJ21-69-D21A
90-92 GJ22-69-D21D
GJ21-69-036
- 3 **Emission†**
†Order by Application
- 4 **Belt Caution** GJ21-69-079A
- 5 **Cover, Hole** 88-89 GJ21-69-079A
90-92 S047-68-425A
- 6 **Logo**
w/ Turbo F220-13-309B
w/o Turbo F201-13-309B
- 7 **Plate, Caution** F203-15-201
- 8 **Caution†** AL01-15-031A

MAZDA 626 1988-92

FRONT BUMPER Cont'd

Japan Built	L GN51-43-68X R GJ21-43-67XB L GJ21-43-68XB
Tape, Bumper Stripe	R GN51-50-032-5G L GN51-50-039-5G

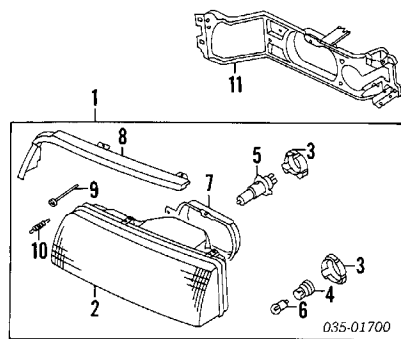
GRILLE



- 1 Grille Assy
1988-89 G225-50-710A
Argent GJ29-50-710
Black GN51-50-710A
1990-92
 - 2 Nameplate†
"Mazda" B300-51-771
 - 3 Clip, Attaching† (4) B092-50-715
 - 4 Grommet, Screw† G043-51-964
- †Included w/Grille Assy

FRONT LAMPS

COMBINATION LAMP

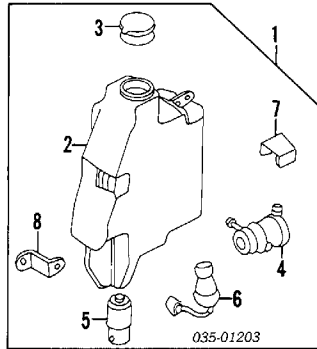


- 1 Lamp Assy, Combination R 8BGE-51-030A
L 8BGE-51-040A
 - 2 Headlamp Unit† R GJ21-51-0K0C
L GJ21-51-0L0C
 - 3 Holder, Bulb† (a) R/L GJ21-51-0A3
(3/Side)
 - 4 Socket w/Wire† (a) R/L GJ21-51-0B4B
 - 5 Bulb, Headlamp† (a) R/L 0000-11-9004-90
 - 6 Bulb, Park/Signal† (a) R/L 0000-11-0089
- (a) Included w/Headlamp Unit
- 7 Ring, Mounting† R GJ21-51-032A
L GJ21-51-042A
 - 8 Moulding, Headlamp† R GJ37-51-0A9
L GJ37-51-0B9
 - 9 Screw, Adjust† R/L GJ21-51-047A
Vertical
R/L GJ21-51-037A
Horizontal
 - 10 Spring, Adjust† R/L GJ21-51-036
- †Included w/Combination Lamp Assy
- 11 Housing R GJ37-51-035B
L GJ37-51-045B

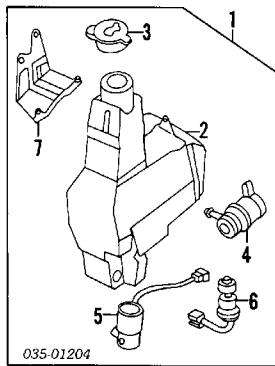
HEADLAMP WASHER 2WS

Illustration Located in Next Column

- 1 Tank Assy GJ21-51-810C
 - 2 Tank† GJ21-51-812B
 - 3 Cap, Tank† GJ21-67-483
 - 4 Pump Kit† GJ21-51-811
 - 5 Pump, Washer† GJ22-67-482
 - 6 Switch, Level† 88-89 G239-67-488
90-92 GJ26-67-488
 - 7 Brkt, Tank Upper† GJ23-67-485
 - 8 Brkt, Tank Lower† GJ22-67-485
- †Included w/Tank Assy
- Nozzle, Spray 88-89 R/L GJ37-51-820
90-92 R/L GJ21-51-820

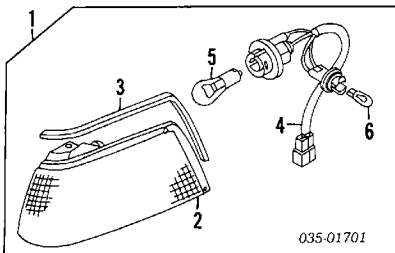


HEADLAMP WASHER 4WS



- 1 Tank Assy GM39-51-810B
 - 2 Tank† GM39-51-812A
 - 3 Cap, Tank† G238-67-483
 - 4 Pump Kit† GM39-51-811
 - 5 Pump, Washer† G238-67-482
 - 6 Switch, Level† G239-67-488
 - 7 Bracket, Tank† G238-67-485
- †Included w/Tank Assy
- Nozzle, Spray 88-89 R/L GJ37-51-820
90-92 R/L GJ21-51-820

PARK/SIGNAL LAMP

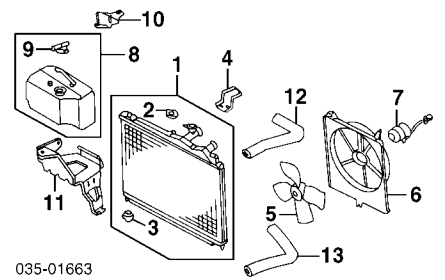


- 1 Lamp Assy, Park/Signal R 8BG1-51-060
L 8BG1-51-070
 - 2 Lens & Housing† R GJ37-51-061B
L GJ37-51-071B
 - 3 Seal, Body† R G225-51-065
L G225-51-075
 - 4 Socket & Wire† R/L GJ37-51-064A
 - 5 Bulb, Park/Signal† R/L 0000-11-1157-NA
 - 6 Bulb, Side Marker† R/L 0000-11-0168
- †Included w/Park/Signal Lamp Assy

COOLING

Illustration Located in Next Column

- 1 Radiator Assy 1988-89
Man Trans F220-15-200B
w/Turbo F201-15-200B
w/o Turbo
Auto Trans F221-15-200D
w/Turbo F202-15-200D
w/o Turbo
1990-92
Man Trans
w/Turbo



035-01663

- USA Built F292-15-200
 - Japan Built F296-15-200
 - w/o Turbo
 - USA Built F294-15-200
 - Japan Built F294-15-200
 - Auto Trans
 - w/Turbo F293-15-200
 - USA Built FEAP-15-200
 - Japan Built F295-15-200A
 - w/o Turbo D318-15-205
 - Cap, Radiator†
 - 3 Mount, Radiator Lower† (a) R/L F202-15-202B
 - †Included w/Radiator Assy
 - (a) Order by Application
 - 4 Bracket, Upper R/L F201-15-240A
 - 5 Blade, Fan
Man Trans F201-15-140
 - Auto Trans
w/Turbo PN15-15-140
 - w/o Turbo FE69-15-140
 - 6 Shroud, Fan
Man Trans F203-15-210A
 - Auto Trans F204-15-210B
 - 7 Motor, Fan
Man Trans
USA Built
To 12-22-89 F201-15-150A
From 12-22-89 AL01-15-150
Japan Built F201-15-150A
 - Auto Trans
w/Turbo F277-15-150A
 - w/o Turbo 88-89 F201-15-150A
90-92 F202-15-150A
 - 8 Tank Assy, Coolant Recovery
2WS F201-15-350B
 - 4WS FE4N-15-350A
 - 9 Cap, Tank (b)
2WS F201-15-355
 - 4WS FE4N-15-355
- (b) Included w/Coolant Recovery Tank Assy
- 10 Brkt, Tank Upper
2WS F201-15-391
 - 4WS FE4N-15-391
 - F201-15-370A
 - 11 Brkt, Tank Lower
 - 12 Hose, Rad Upper
Man Trans F220-15-186
 - w/Turbo F202-15-186
 - w/o Turbo F202-15-186
 - Auto Trans F201-15-185A
 - 13 Hose, Rad Lower
Pump, Water 8AK1-15-010A

EMISSION SYSTEM

- Valve, EGR
w/Turbo F2Y7-20-300A
- w/o Turbo F201-20-300A
- 1988-89
- 1990-92 F201-20-300A
- w/o Calif Emission F203-20-300B
- w/Calif Emission
- Gasket, EGR
w/Turbo FEH5-20-305
- w/o Turbo
Man Trans E331-20-305B
- Auto Trans E563-20-305
- Valve, Thermo 8682-13-980
- Canister, Vapor 88-89 F201-13-970B
90-92 F286-13-970A
F201-13-960A
- Bracket, Canister

ELECTRICAL

HORN

- Horn
High Note FB03-66-780A
- Low Note FB03-66-790A

IGNITION/FUEL

- Cap, Distributor
w/Turbo F220-18-V00A-9U
- w/o Turbo B616-18-V00-9U
- Relay Unit, Central†
DX Model GJ21-67-580
- LX Turbo Model GJ24-67-580A
- Module, Main Control† ZPA3-18-881R
- †Order by Application
- Block, Main Fuse
1988-89 GJ21-66-760C
- 1990-92

MAZDA 626 1988-92

Man Trans	GN51-66-760A
Auto Trans	
w/Turbo	GN56-66-760
w/o Turbo	GN51-66-760A
Bracket, Main Fuse Block	GJ21-67-980D

ALTERNATOR

Alternator Assy [¶] (a)	F8B1-18-300R-00
[¶] Remanufactured Part. Contact Dealer for Core Charge & Exchange Information	
(a) Order by Application	
Pulley, Alternator (b)	
1988-89	F8B1-18-W11
1990-92	F202-18-W11
(b) Included w/Alternator Assy	
Bracket, Lower	F8B1-18-371
Bracket, Adjusting	F201-18-361
Belt, Alternator	88-89 F201-18-381A-9U 90-92 F2F6-18-381-9U

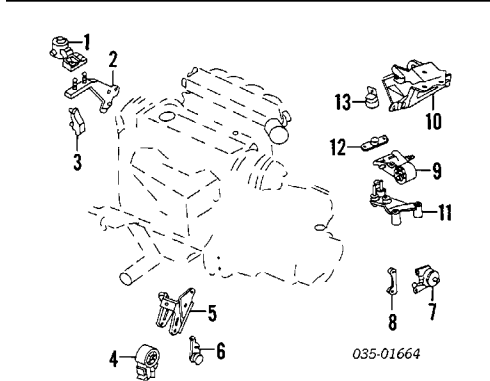
BATTERY

Battery [¶]	0000-80-026R-WB
[¶] Order by Application	
Cable, Battery-Serviced w/Wiring Harness	

ENGINE

Pulley, Crankshaft	88-89 F202-11-401 90-92 F262-11-401
Pulley, Crankshaft Timing	FE1H-11-321
Cover, Upper Timing	F210-10-510
Cover, Lower Timing	FE4R-10-500C
Pan, Eng Oil	FE3N-10-400B
Gasket, Eng Oil Pan	F8B1-10-431
Sealant, Eng Oil Pan Gasket	8527-77-739
Fuel Pump-See Fuel Tank Section	

ENGINE MOUNTS

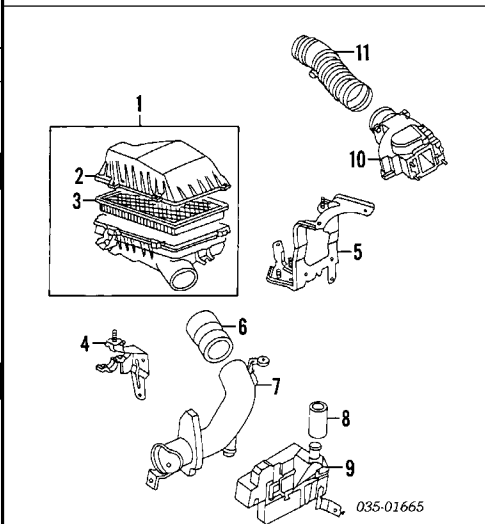


1 Mount, Engine Right	
Man Trans	GJ26-39-060E
w/Turbo	GJ27-39-060E
w/o Turbo	GJ27-39-060E
Auto Trans	88-89 GJ21-39-030G 90-92 GJ51-39-030A
2 Brkt, Right Mount	
Protector, Rubber Mtg	GJ21-39-999A
1988-89	
1990-92-Not Serviced	
4 Mount, Front	
Man Trans	GJ21-39-050B
1988-89	
1990-92	
w/Turbo	GJ21-39-050B
w/o Turbo	M001-39-050
Auto Trans	GJ23-39-050C
5 Bracket, Front Mount	
Man Trans	GJ25-39-020
w/Turbo	88-89 GJ21-39-020C
w/o Turbo	90-92 M001-39-020
6 Damper, Vibration	
Man Trans	GJ21-39-02XA
w/o Turbo	
7 Mount, Trans Left	
Man Trans	GJ25-39-040B
w/Turbo	88-89 GJ21-39-040A
w/o Turbo	90-92 M001-39-040
Auto Trans	GJ28-39-040E
w/Turbo	88 GJ23-39-040C
w/o Turbo	89-92 M002-39-040B
8 Bracket, Mount	
Man Trans	GJ25-39-04XB
w/Turbo	
w/o Turbo	GJ21-39-04XC
1988-89	
1990-92-Not Serviced	
9 Mount, Trans Upper	
Man Trans	GJ25-39-070C
w/Turbo	GJ21-39-070D
w/o Turbo	GJ23-39-070C
Auto Trans	
10 Bracket, Upper Mounting	1988-89 M001-39-080

1990-92	M001-39-080
w/Turbo	M001-39-080
w/o Turbo	
11 Bracket, Lower Mounting	
Man Trans	GJ21-39-090A
w/o Turbo	
12 Damper, Vibration	
Man Trans	GJ21-39-07Y
w/o Turbo	
13 Damper, Vibration	
Man Trans	GJ21-39-08X
w/o Turbo	
Xmbr, Eng-See Rocker/Pillars/Floor Section	

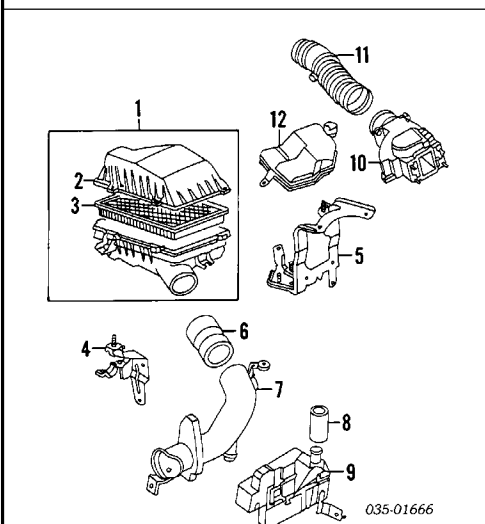
AIR CLEANER

W/TURBO



1 Cleaner Assy, Air	F220-13-320F
2 Cover, Air Cleaner [¶]	F220-13-220A
3 Element, Filter [¶]	AS01-13-Z40-9U
[¶] Included w/Air Cleaner Assy	
4 Bracket, Cleaner Right	F201-20-210C
5 Bracket, Cleaner Left	F201-20-220D
USA Built	
Japan Built	F201-20-220D
To 7-1-90	FEHH-20-220
From 7-1-90	F201-13-206
6 Hose, Air	F220-13-206
7 Duct, Fresh Air	F220-13-20XB
8 Hose, Resonance	F201-13-207
9 Chamber, Resonance	88-89 F201-13-19XE 90-92 F285-13-19XC
10 Meter, Air Flow	F201-13-210R-00
11 Hose, Intake Air	F220-13-221B
1988-90	
1990-92	
Man Trans	F220-13-221B
Auto Trans	F221-13-221B

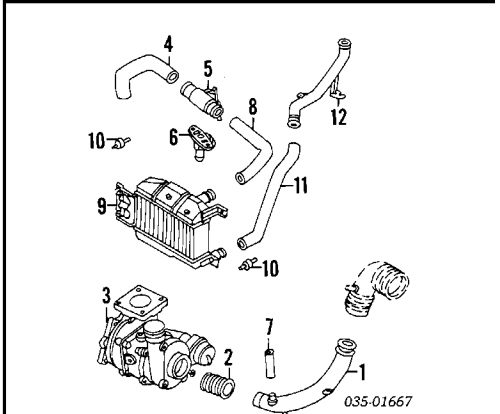
W/O TURBO



1 Cleaner Assy, Air	F220-13-320F
USA Built	F201-13-320D
Japan Built	
2 Cover, Air Cleaner [¶]	F292-13-Z01
USA Built	F220-13-Z01A
Japan Built	
3 Element, Filter [¶]	AS01-13-Z40-9U

[¶] Included w/Air Cleaner Assy	
4 Bracket, Cleaner Right	F201-20-210C
5 Bracket, Cleaner Left	F201-20-220D
1988-90	
1991-92	
USA Built	F201-20-220D
Japan Built	FEHH-20-220
6 Hose, Air	F201-13-206
7 Duct, Fresh Air	F201-13-20XA
1988-89	
1990-92	
USA Built	F201-13-20XA
Japan Built	F285-13-20X
8 Hose, Resonance	F201-13-207
9 Chamber, Resonance	88-89 F201-13-19XE 90-92 F285-13-19XC
10 Meter, Air Flow	F201-13-210R-00
11 Hose, Intake Air	F201-13-221B
12 Resonator, Intake	F202-13-195B

INTERCOOLER

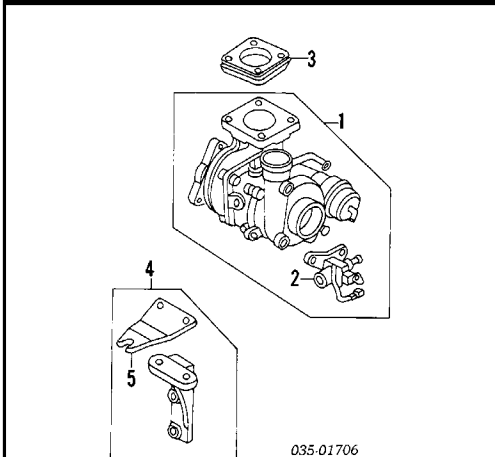


1 Pipe, Air	F220-13-331B
2 Joint, Rubber	F220-13-224A
3 Turbocharger Assy-See Turbocharger Section	
4 Hose, Intake Air	F220-13-222A
5 Pipe, Air	F220-13-220A
6 Valve, Air By-Pass	F220-20-250B
7 Hose, By-Pass Air	F220-13-751A
8 Hose, Intake Air	F220-13-225A
9 Intercooler	F220-13-365C
10 Insulator, Mounting (4)	F220-13-363
11 Hose, Intake Air	F220-13-223A
12 Pipe, Air	
Man Trans	F220-13-360C
Auto Trans	F220-13-360C

EXHAUST

Manifold, Exhaust	F220-13-450C
w/Turbo	F202-13-450
w/o Turbo	
Insulator, Exhaust	F287-13-390A
w/Turbo	F285-13-390A
w/o Turbo	F201-40-500
Pipe, Front Exhaust [¶]	F2Y2-20-600
Converter, Catalytic [¶]	FEH7-40-300D
Pre-Silencer [¶]	F213-40-600A
Pipe, Middle [¶]	F203-40-100F
Muffler, Main [¶]	
[¶] Order by Application	

TURBOCHARGER



1 Turbocharger Assy	F220-13-700B
2 Valve, Solenoid [¶]	F220-20-285A
[¶] Included w/Turbocharger Assy	
3 Gasket	F220-13-710B

MAZDA 626 1988-92

TURBOCHARGER Cont'd

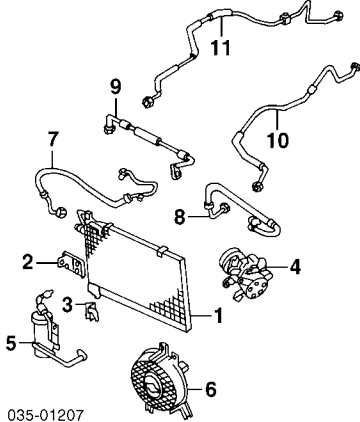
- 4 Bracket Assy F220-13-520B
- 5 Bracket, Plate† F220-13-522A

†Included w/Bracket Assy

A/C REFRIGERANT CAPACITIES

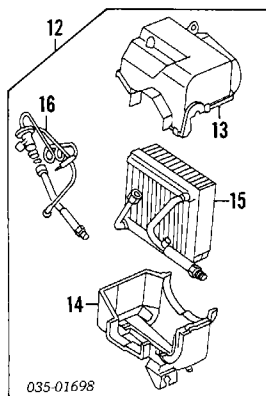
A/C R-12 Refrigerant Capacity
 1988-90: 34-37 Ozs (2.12-2.31 Lbs)
 1991-92: 32 Ozs (2.0 Lbs)

A/C /HEATER AIR CONDITIONING



035-01207

- 1 Condenser† GJ51-61-480B
- 2 Bracket, Upper †Order by Application GJ51-61-483
- 3 Bracket, Lower GJ51-61-484
- 4 Compressor Assy GJ51-61-450B
- Clutch Assy (a) GJ51-61-L10
- (a) Included w/Compressor Assy
- Pulley, Clutch (b) GJ51-61-L12
- (b) Included w/Clutch Assy
- Belt, Compressor† F230-15-909
- Receiver/Drier† w/Turbo GJ51-61-500D
- w/o Turbo GJ54-61-500A
- 6 Fan, Condenser† Man Trans M001-61-710B
- Auto Trans GN52-61-710A
- 7 Hose, Discharge† GJ51-61-461B
- Hose, Suction† Man Trans GJ51-61-462A
- Auto Trans GP34-61-462A
- †Order by Application
- 10 Pipe to Compressor GJ51-61-465
- 11 Pipe to Drier† GJ51-61-464
- †Order by Application



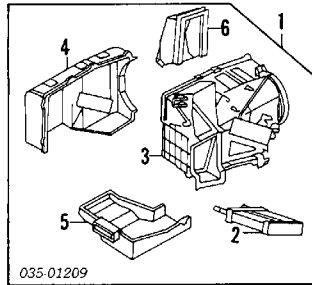
035-01698

- 12 Evaporator Assy GJ51-61-520D
- 13 Case, Evaporator (c) GJ51-61-J01
- 14 Case, Evaporator Lower (c) GJ51-61-J02
- 15 Core, Evaporator (c) GJ51-61-J10B
- 16 Valve, Expansion (c) GJ51-61-J14
- (c) Included w/Evaporator Assy

HEATER

Illustration Located in Next Column

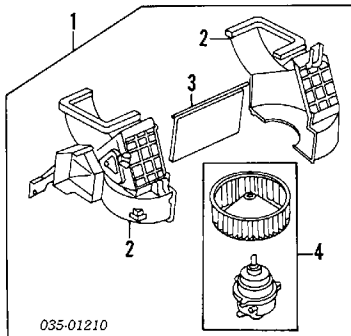
- 1 Heater Assy



035-01209

- USA Built 88-89 GJ51-61-130C
- 90-92 GN81-61-130A
- Japan Built GJ21-61-130D
- 2 Core, Heater† GJ21-61-A10
- 3 Case, Inner† USA Built GJ51-61-A01
- Japan Built GJ21-61-A01
- 4 Case, Outer† USA Built GJ51-61-A02
- Japan Built GJ21-61-A02
- 5 Case, Lower† GJ21-61-A03
- 6 Case, Upper† GJ21-61-A04
- †Included w/Heater Assy

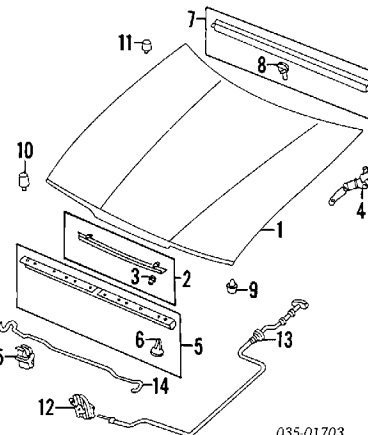
BLOWER



035-01210

- 1 Blower Assy, Heater (a) GJ83-61-140C
- (a) Order by Application
- 2 Case, Half† R GJ21-61-B02A
- L GJ21-61-B01A
- 3 Door, Blower Flap† GJ21-61-B05
- 4 Fan & Motor† 88-89 GJY1-61-B10
- 90-92 GJY1-61-B10
- †Included w/Heater Blower Assy

HOOD

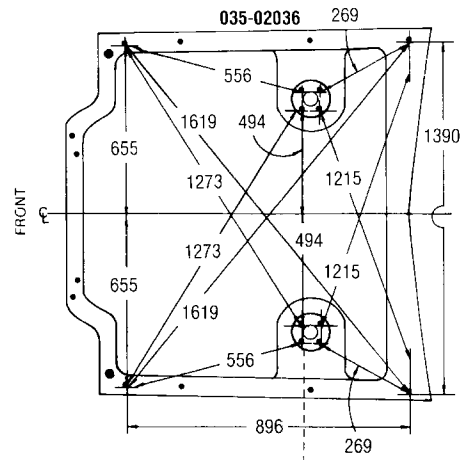


035-01703

- 1 Hood GJY1-52-310A
- 2 Moulding Assy, Front Hood 8AG1-50-411
- 3 Grommet, Screw (a) (2) B216-51-905
- (a) Included w/Front Hood Moulding Assy
- 4 Hinge, Hood R GJ21-52-410B
- L GJ21-52-420B
- 5 Seal Assy, Front Hood GJ21-56-750B
- 6 Clip, Front Seal (b) 9926-40-531B
- (b) Included w/Front Hood Seal Assy
- 7 Seal Assy, Cowl GJ21-56-760
- 8 Clip, Cowl Seal (c) (12) G031-58-762
- (c) Included w/Cowl Seal Assy
- 9 Bumper, Hood Cushion (4) B092-62-877
- 10 Cushion, Front Side Body R/L FB01-56-787B

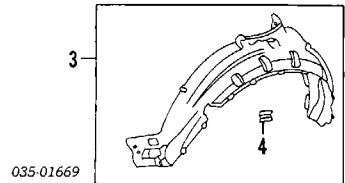
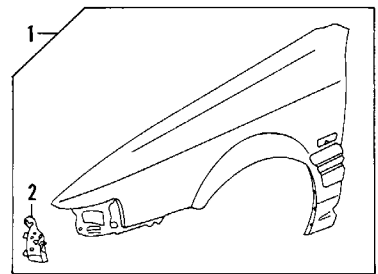
- 11 Cushion, Rear Side Body R/L FB01-56-788
- 12 Lock, Hood w/Theft Deterrent GJ22-56-620D
- w/o Theft Deterrent GJ21-56-620C
- 13 Cable, Release GJ21-56-720B
- 14 Rod, Hood Stay GJ21-56-650A
- 15 Clip, Hood Stay Insulator, Hood G030-56-693A
- GJ21-68-601A

UNDERHOOD DIMENSIONS



FRONT FENDER

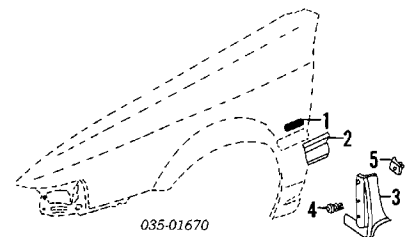
SHEET METAL



035-01669

- 1 Fender Assy R GJY7-52-110A
- L GJY7-52-210A
- 2 Bracket, Lamp† R G213-52-180
- L G213-52-280
- †Included w/Fender Assy
- 3 Shield Assy, Splash R G211-56-130B
- L G211-56-140B
- 4 Clip, Splash Shield (a) R/L 8173-56-135
- (a) Included w/Splash Shield Assy

EXTERIOR TRIM



035-01670

- 1 Nameplate (Decal) "DX" R/L G717-51-761
- "LX" R/L GJ21-51-761
- "GT" R/L GJ25-51-761
- 2 Moulding, Side Adhesive 1988-89 R GN81-50-681
- L GN81-50-691

MAZDA 626 1988-92

1990-92
USA Built R GN81-50-681
L GN81-50-691

Japan Built
Black R G212-50-681
L G212-50-691

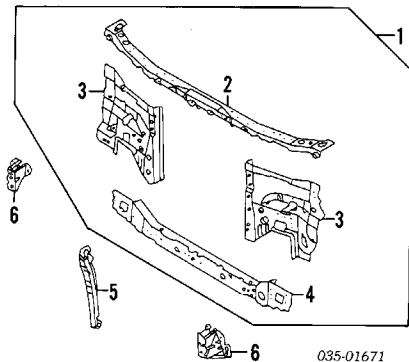
Body Color†
R G243-50-681-04
L G243-50-691-04

†Black/Silver listed, Order by Application
UC Crystal White/Silver; PZ Brilliant Black/Silver;
SQ Blaze Red/Silver; 6L Gracelul Red/Silver;
NU Vintage Red/Silver; 6S Exceed Green/Silver;
5N Brave Blue/Silver; 1H Steel Gray/Silver;
3L Silver Stone M/Silver

- 3 **Mudguard**
R G211-51-840
L G211-51-850
- 4 **Rivet (2/Side)** R/L B092-51-833
- 5 **Grommet** R/L G030-51-852
- Tray, Battery** BG62-56-032A
Support, Tray GJ21-56-040A
Clamp, Battery Hold-Down GJ21-56-03XA
Bolt, Clamp
Front 0259-54-292A
Rear 0613-65-857A

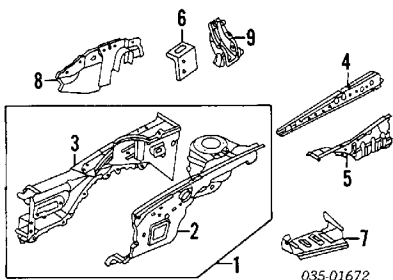
FRONT INNER STRUCTURE

FRONT



- 1 **Support Assy, Radiator**
USA Built GJ21-53-100K
To 12-4-89 GN98-53-100
From 12-4-89 GJ21-53-100K
- 2 **Bar, Upper Tie†**
1988-89 GJ21-53-150C
1990-92 GJ21-53-150C
USA Built GJ21-53-150C
Japan Built GJ21-53-150C
- 3 **Panel, Side†**
USA Built R GJ21-53-120E
To 12-4-89 L GJ21-54-120D
From 12-4-89 R GN98-53-120
L GN98-54-120
Japan Built R GJ21-53-120E
L GJ21-54-120D
- 4 **Bar, Lower Tie†**
USA Built GJ21-53-16XD
To 12-4-89 GN98-53-16X
From 12-4-89 GJ21-53-16XD
Japan Built
- 5 **Support, Latch** GJ21-56-220B
6 **Bracket, Lamp** R GJ21-52-140A
L GJ21-52-240A

SIDE



- 1 **Apron Assy** R GJ22-53-200
L GJ22-54-200
- 2 **Panel, Apron†** R GJ22-53-210F
L GJ22-54-210E
- 3 **Frame, Side†**
USA Built R GJ21-53-300R
To 11-3-89 L GJ21-54-300P
From 11-3-89 R GJ21-53-300R
L GJ21-54-300P

Japan Built R GJ21-53-300R
L GJ21-54-300P

†Included w/Apron Assy

4 **Reinf, Upper Apron** R GJ21-53-281D
L GJ21-54-281D

5 **Reinf, Lower Apron** R GJ21-53-291A
L GJ21-54-291A

6 **Brkt, Hinge Stop** R GJ21-53-575B
L GJ21-54-575B

7 **Plate, Apron Seal** R/L G217-56-381A

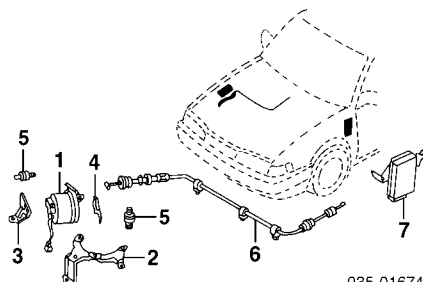
8 **Guard, Splash**
1988-89 w/Turbo R GJ21-56-330D
Man Trans L GJ21-56-341A
Auto Trans R GJ21-56-330D
L GJ27-56-341A
w/o Turbo R GJ21-56-330D
L GJ21-56-341A

1990-92
USA Built w/Turbo R GJ21-56-330D
To 12-4-89 L GJ27-56-341A
From 12-4-89 R GN98-56-330
L GJ27-56-341A
w/o Turbo R GJ21-56-330D
L GJ21-56-341A

Japan Built R GJ21-56-330D
L GJ27-56-341A
M001-53-370A

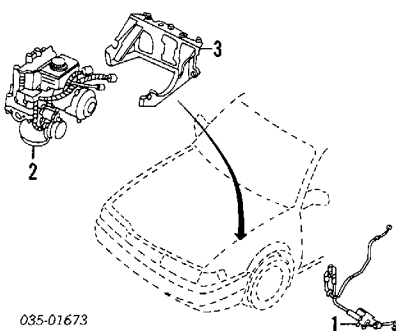
9 **Bracket, Engine Mount**

CRUISE CONTROL SYSTEM



- 1 **Actuator, Cruise** w/Turbo GN55-66-310C
w/o Turbo GN51-66-312
- 2 **Brkt, Actuator Mtg** GJ21-66-31Y
- 3 **Brkt, Actuator Front** GN51-66-3A1B
- 4 **Brkt, Actuator Rear** GN51-66-3A8B
- 5 **Mount, Rubber (3)** F285-13-363
- 6 **Cable, Cruise** w/Turbo GN55-66-311
w/o Turbo GJ21-66-311B
- 7 **Control Unit, Cruise** w/Turbo GN55-66-320
w/o Turbo GN51-66-320

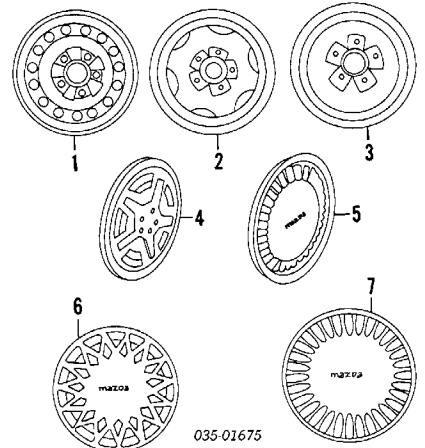
ABS/BRAKES



- 1 **Sensor, ABS Wheel**
See Front or Rear Suspension Section
- 2 **Actuator, ABS**
USA Built KA11-43-7A0C
To 10-2-91 GN90-43-7A0C
From 10-2-91 GJ55-43-7A0C
Japan Built
- 3 **Brkt, Actuator**
USA Built GJ55-43-310B
To 10-2-91 GN90-43-310A
From 10-2-91 GJ55-43-310B
Japan Built

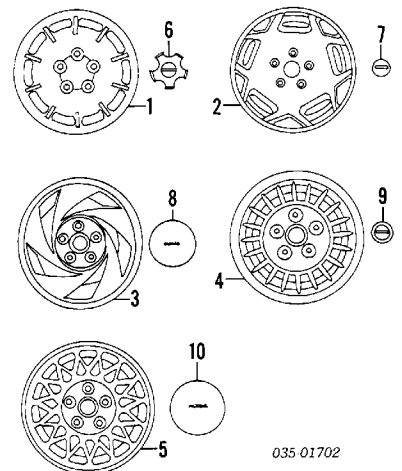
WHEEL

STEEL WHEEL



- Wheel, Steel**
1 Black 9965-84-5540
2 Silver 9965-86-554
3 **Wheel, Spare Cover, Wheel** 9965-10-4050
1988-89
4 w/Hub Nut Holes G214-37-170B
5 w/o Hub Nut Holes GJ25-37-170
1990-92
6 Type A GN51-37-170A
7 Type B GJ29-37-170
Stem, Valve 9963-60-4130

ALUMINUM WHEEL



- Wheel Assy, Aluminum**
1 Style 1 8BG1-37-600
2 Style 2 8DG8-37-600
3 Style 3† R 8DG3-37-600
L 8DG4-37-600
4 Style 4 8BGU-37-600
5 Style 5 8DG9-37-600
†Silver listed, Order by Application
- Cap, Center (a)**
6 Style 1 G213-37-191A
7 Style 2 B004-37-192
8 Style 3† GJ23-37-191A
9 Style 4 H115-37-192
10 Style 5 GN82-37-191A
Japan Built GN52-37-191A
†Silver listed, Order by Application
- Stem, Valve (a)** 9963-60-4130
(a) Included w/Wheel Assy
- Wheel, Spare** 9965-10-4050

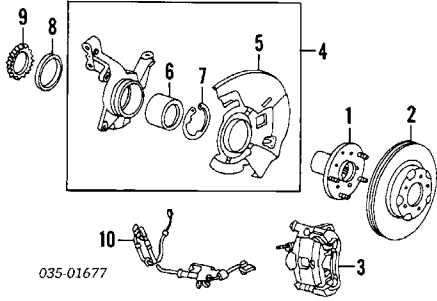
FRONT SUSPENSION

Illustration Located in Next Column

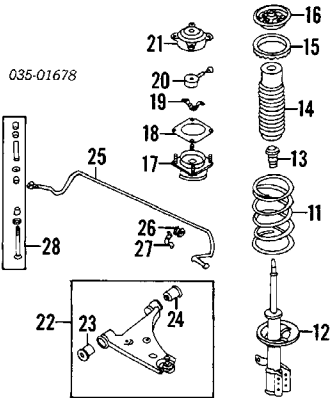
- 1 **Hub**
2 Wheel Disc Brakes R/L GJ51-33-060A
4 Wheel Disc Brakes R/L GJ55-33-060A

MAZDA 626 1988-92

FRONT SUSPENSION Cont'd



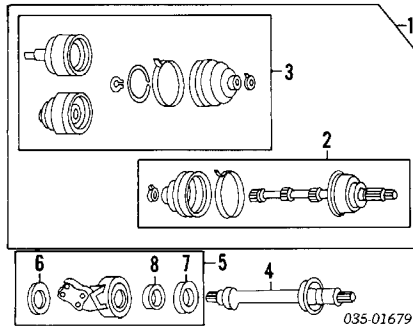
- 2 Rotor, Brake R/L GJ55-33-25XD
- 3 Caliper, Brake 88-89 R G2Y5-33-98ZR
L G2Y5-33-99ZR
90-92 R/L G2Y5-33-98ZR
- Hose, Brake] R/L G030-43-980B
- 4 Knuckle Assy w/ABS R GJ56-33-020E
L GJ56-33-030E
w/o ABS R GJ51-33-020F
L GJ51-33-030F
- 5 Shield, Splash (a) R GJ51-33-261A
L GJ51-33-271A
- 6 Bearing (a) R/L H266-26-151-MV
- 7 Circlip (a) R/L H266-26-139
- (a) Included w/Knuckle Assy
- 8 Seal, Bearing R/L G304-33-065
- 9 Rotor, Sensor R/L GJ26-33-471A
- 10 Sensor, ABS Wheel R GJ26-43-70XA
L G09A-43-73XB



- 11 Spring] R/L GM74-34-011A
- 12 Strut] w/AAS R GJ22-34-700E-9U
L GJ22-34-900E-9U
w/o AAS R G211-34-700H-9U
L G211-34-900H-9U
- 13 Bumper, Stopper 2WS w/Turbo R/L KA11-34-111A
w/o Turbo USA Built R/L GJ21-34-111
Man Trans R/L GJ23-34-111
Auto Trans R/L GJ21-34-111
Japan Built R/L GN98-34-111
- 14 Cover, Lever USA Built R/L GJ21-34-015
Man Trans R/L GJ23-34-015
Auto Trans R/L GJ21-34-015
Japan Built R/L GJ21-34-012
- 15 Seat, Rubber R/L GJ21-34-340A
- 16 Seat, Spring] R/L GJ23-34-340A
- 17 Insulator, Mounting] Man Trans R/L GJ21-34-380C
Auto Trans R/L GJ23-34-380B
- 18 Plate, Adjust R/L GJ21-34-013
- 19 Bracket, Plate (b) USA Built R/L GN81-34-088
Japan Built R/L GJ22-34-088
- 20 Actuator (b) R/L GJ22-34-080A
- (b) For AAS Only
- 21 Cap, Mount w/Turbo R/L GJ23-34-019
w/o Turbo R/L GJ21-34-019A
Man Trans R/L GJ23-34-019
- 22 Arm Assy, Lower 1988-89 R GJ22-34-300B
2WS

- 4WS L GJ22-34-350B
R GJ83-34-300B
L GJ83-34-350B
- 1990-92 w/Turbo R GJ22-34-300B
L GJ22-34-350B
- w/o Turbo USA Built R GN98-34-300A
L GN98-34-350A
- Japan Built R GJ22-34-300B
L GJ22-34-350B
- 23 Bushing, Front (c) 2WS R/L GJ21-34-470B
4WS R/L KA10-34-470A
- 24 Bushing, Rear (c) R/L GJ21-34-460B
(c) Included w/Lower Arm Assy
- 25 Bar, Stabilizer 2WS 1988-89 w/Turbo G211-34-151B
To 6-27-88 GN94-34-151B
From 6-27-88 w/o Turbo G211-34-151B
- 1990-92 USA Built GN81-34-151A
Japan Built w/Turbo GN94-34-151B
w/o Turbo G211-34-151B
- 4WS G238-34-151B
- 26 Bushing, Bar 4WS 88-89 R/L G030-34-156B
2WS 90-92 R/L GN81-34-156
- 27 Bracket, Bar 4WS R/L KA11-34-155
2WS w/Turbo R/L GJ21-34-155
w/o Turbo R/L GJ21-34-155
- 28 Mtg Kit, Stab Bar 4WS R/L 8AG2-34-100

FRONT DRIVE AXLE

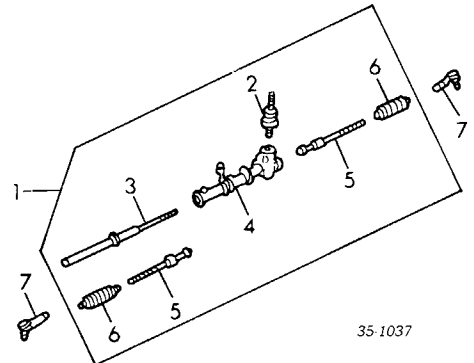


- 1 Shaft Assy, Axle w/Turbo Man Trans R G054-25-500A
L G054-25-600D
Auto Trans R G064-25-500B
L G064-25-600D
- w/o Turbo Man Trans R G034-25-50XA
L G034-25-60XA
- Auto Trans To 9-1-89 R G044-25-50XC
L G044-25-60XD
From 9-1-89 R G044-25-50XC
L GT43-25-600A
- 2 Joint Set, Outer CV] Man Trans w/Turbo R/L G054-22-510A
w/o Turbo R/L G034-22-510B
- Auto Trans w/Turbo R/L G064-22-510
- To 9-1-89 R/L G044-22-510D
From 9-1-89 R/L G044-22-510D
- 3 Joint Set, Inner CV] Man Trans w/Turbo R G053-22-520
L G053-22-620B
w/o Turbo R G033-22-520
L G033-22-620B
- Auto Trans w/Turbo R G063-22-520
L G063-22-620B
- To 9-1-89 R G043-22-520A
L G043-22-620C
From 9-1-89 R G043-22-520B
L GA43-22-620B
- Boot Set] Man Trans w/Turbo R/L GS70-V9-050-9U
Outer R/L G053-22-540
Inner R/L GS50-V9-050-9U
w/o Turbo Outer R/L GS50-V9-050-9U
Inner R/L G033-22-540
- Auto Trans w/Turbo Outer R/L GS70-V9-050-9U

- Inner R/L G063-22-540
- w/o Turbo
- Outer R/L GS50-V9-050-9U
- Inner R/L G043-22-540
- To 9-1-89 R/L G043-22-540A
- From 9-1-89
- (a) Included w/Axle Shaft Assy
- 4 Shaft, Intermediate Man Trans w/Turbo G004-25-710B
w/o Turbo G003-25-710D
- Auto Trans w/Turbo G005-25-710B
w/o Turbo G003-25-710D
- 5 Bracket, Intermediate Shaft Man Trans w/Turbo G004-25-741A
w/o Turbo G003-25-741A
- Auto Trans G008-25-741B
- 6 Seal, Brkt Inner (a) G003-25-742A
- 7 Seal, Brkt Outer (a) G0035-25-744A
- 8 Brg, Intermediate Brkt (a) To 2-1-90 99606-82063
From 2-1-90 99606-82064
(a) Included w/Intermediate Shaft Bracket

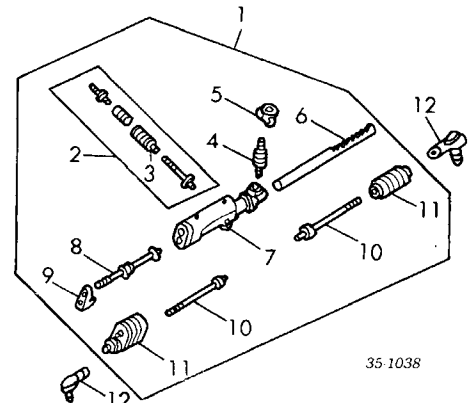
FRONT STEERING LINKAGE/GEAR

ENGINE SPEED SENSING 1988-89 W/O TURBO



- 1 Gear Assy 2WS GJ22-32-110C
4WS GJ22-32-110C
- 2 Pinion] GJ22-32-122A
- 3 Rack] GJ22-32-119
- 4 Housing] GJ22-32-120
- 5 Joint, Rack] 2WS GJ22-32-240
4WS GJ22-32-240
- 6 Boot] GJ22-32-125
- (a) Included w/Gear Assy
- 7 End, Tie Rod R 8AH1-32-280
L 8H1-32-280

ENGINE SPEED SENSING 1988-89 W/TURBO

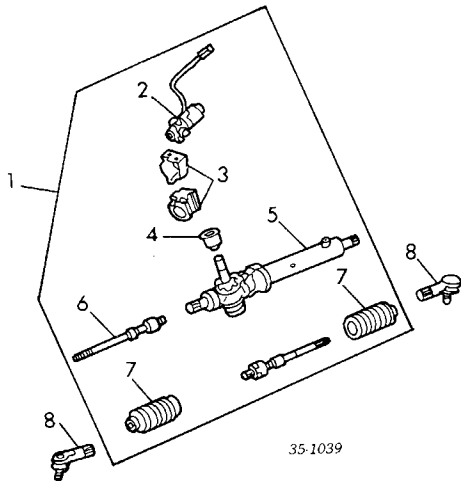


- 1 Gear Assy 2WS GM39-32-110C
4WS GM39-32-110C
- 2 Pinion Assy, Output] G238-32-13X
- 3 Boot] (a) G309-32-125
(a) Included w/Output Pinion Assy
- 4 Pinion] GK83-32-122
- 5 Housing, Valve] GK83-32-121
- 6 Rack] GK83-32-119
- 7 Housing, Gear] GK83-32-120

MAZDA 626 1988-92

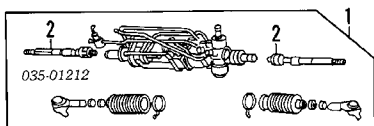
8 Rod, Piston†	G238-32-118A
9 Plate, Connecting†	
Man Trans	G238-32-136
Auto Trans	GM39-32-136
10 Joint, Rack†-Serviced w/Assy	
11 Boot†	R G238-32-126 L HE01-32-12X
†Included w/Gear Assy	
12 Joint Assy, Ball	8AH1-32-280

1988-89 VELOCITY SENSING



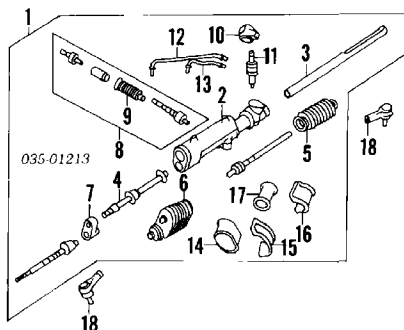
1 Gear Assy	
2WS	
Man Trans	GJ25-32-110F
Auto Trans	GJ28-32-110F
4WS	
Man Trans	GJ25-32-110F
Auto Trans	GJ28-32-110F
2 Valve, Solenoid†	GJ25-32-420B
3 Bracket, Solenoid Valve†	GJ25-32-141
4 Cover, Lever†	GJ25-32-112
5 Housing, Gear†	
To Ch GD31A104070	GJ25-32-120
From Ch GD31A104074	GJ28-32-120
6 Joint, Rack†	R/L GJ22-32-240
7 Boot†	R/L GJ25-32-125A
†Included w/Gear Assy	
8 Joint, Ball	R/L 8AH1-32-280

1990-92 2WS



1 Gear Assy	
w/Turbo	
To 11-1-89	GN55-32-110D
From 11-1-89	GN74-32-110A
w/o Turbo	
USA Built	GN81-32-110R-0B
Japan Built	GN52-32-110C
2 Joint, Rack†	R/L GJ22-32-240
†Included w/Gear Assy	

1990-92 4WS



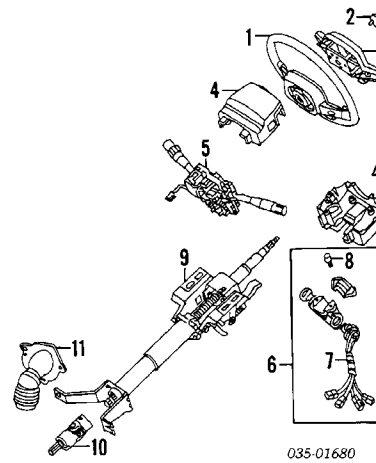
1 Gear Assy	GM39-32-110C
2 Housing, Gear†	GK83-32-120

3 Rack, Steering Gear†	GK83-32-119
4 Rod, Piston Gear†	G238-32-118A
5 Boot, Outer Rack†	HE01-32-12X
6 Boot, Inner Rack†	G238-32-126
7 Plate, Connecting†	GM39-32-136
8 Pinion Kit, Output†	G238-32-13X
9 Boot, Pinion† (a)	G309-32-125
(a) Included w/Output Pinion Kit	
10 Housing, Valve†	GK83-32-121
11 Pinion, Strg Gear†	GK83-32-420
12 Pipe, Upper Pressure†	GK84-32-420
13 Pipe, Lower Pressure†	GK84-32-420
14 Mount, Rubber Right†	GK83-32-124
15 Plate, Clamp†	R G238-32-134
16 Plate, Clamp†	L GK83-32-130
17 Mount, Rubber Left†	G238-32-123
18 End, Tie Rod	R/L 8AH1-32-280
†Included w/Gear Assy	

STEERING PUMP

Pump, Steering†	
2WS	
w/Turbo	GJ25-32-600D
w/o Turbo	G211-32-600E
4WS	GP34-32-600
†Order by Application	
Pulley, Pump	
2WS	88-89 GJ22-32-620A 90-92 GJ22-32-620B
4WS	88-89 GJ22-32-620A 90-92 GJ22-32-620B K805-15-908B
Belt, Drive	
Bracket Mounting	
2WS	GJ22-32-603A
4WS	G238-32-603A
Hose, Pressure†	GJ26-32-490B
Hose, Return†	GJ25-32-682A
†Order by Application	
Tank, Pwr Strg	
2WS	
w/Turbo	GJ25-32-690A
w/o Turbo	G211-32-690E
4WS	G238-32-690C
Bracket, Tank	GJ25-32-69X

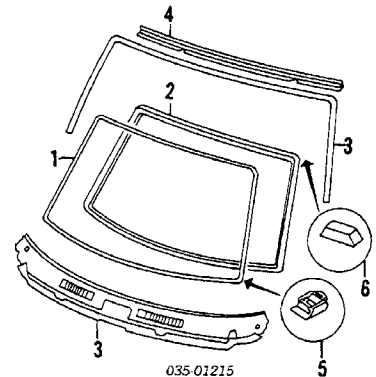
STEERING WHEEL/COLUMN



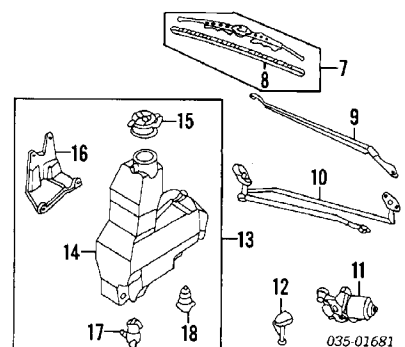
1 Wheel, Steering†	
Urethane	GJ22-32-980C-96
Leather	GN53-32-980A-96
2 Cap, Horn†	
2WS	88-89 GJ22-32-800A 90-92 LA01-32-800B-96
4WS	88-89 GM39-32-800 90-92 GN58-32-800A-96
3 Pad, Horn†	
1988-89	GJ22-32-730-96
1990-92	
2WS	LA01-32-810-96
4WS	GN58-32-810-96
4 Cover, Lock Housing†	
1988-89	
Upper	GJ21-60-220-96
Lower	GJ21-60-230A-96
1990-92	
Man Trans	
Upper	GJ21-60-220-96
Lower	GJ25-60-230A-96
Auto Trans	
Upper	GN51-60-220-96
Lower	GN55-60-230A-96
†Dark Gray listed, Order by Color & Application	
19 Red; 43 Beige; 48 Blue; 71 Taupe; 96 Dark Gray	
5 Switch, Combination (a)	GJ28-66-120
(a) Order by Application	
6 Lock Assy, Ignition	
1988-89	GJ21-76-290
1990-92	
Man Trans	GJ21-76-290
Auto Trans	GN59-76-290

7 Switch, Ignition (b)	DA01-66-151
8 Bolt, Shear (b) (2)	H043-66-154
(b) Included w/Ignition Lock Assy	
9 Column, Steering	88-89 GJ21-32-100A 90-92 GN51-32-100B
10 Shaft Assy, Intermediate (a)	88-89 GJ21-32-090D 90-92 GJ21-32-090D
(a) Order by Application	
11 Cover, Lever (c)	
To 9-1-87	GJ21-32-411A
From 9-1-87	GJ21-32-40X
(c) Included w/Intermediate Shaft Assy	

WINDSHIELD



1 Glass, Windshield	
Mazda (Tint)	
4 Door	
w/Sunshield	88-89 GJ30-63-901A 90-92 GN82-63-901A
w/o Sunshield	88-89 GJ29-63-901A 90-92 GN81-63-901A
5 Door	
w/Sunshield	88-89 GJ22-63-901C 90-91 GJ52-63-901C
w/o Sunshield	GJ21-63-901C
2 Weatherstrip, Glass	GA7B-50-899
3 Moulding, Reveal	
Upper	
4 Door	G212-50-601A
5 Door	
Chrome	GJ21-50-601A
Black	GJ75-50-601A
Lower	8AG2-50-604 G00D-50-6B1
4 Retainer, Moulding	
Moulding, Inside Garnish† (a)	
4 Door	R GJ30-68-160A-48 L GJ30-68-170A-48
5 Door	R GJ37-68-160A-48 L GJ37-68-170A-48
†Includes Upper Center Pillar Trim & Roof Garnish	
(a) Light Blue/Blue listed, Order by Application	
19 Light Beige/Red; 43 Light Beige/Beige	
48 Light Blue/Blue; 96 Light Gray/Dark Gray	
5 Spacer, Lower	R/L GJ21-50-891
6 Spacer, Upper (2/Side)	R/L 8182-63-903
Mirror, Rear View†	GJ21-69-220-44
Visor, Sun†	R GJ37-69-270C-44 L GJ37-69-320C-44
†Light Blue listed, Order by Application	
06 Light Gray; 34 Taupe; 44 Light Blue; 93 Light Beige	



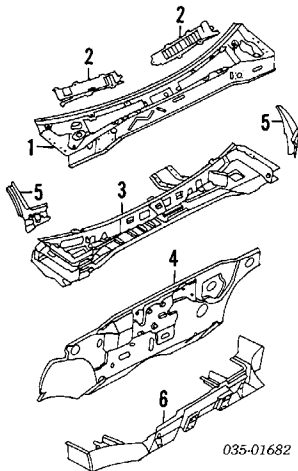
7 Blade Assy, Wiper	R BJ0E-67-330-9U L HF06-67-330D-9U
8 Insert, Wiper†	R/L BC6B-67-333-9U
†Included w/Wiper Blade Assy	
9 Arm, Wiper	88-89 R GJ22-67-321A L GJ21-67-321A 90-92 R GJ22-67-321A L GJ21-67-321B
10 Link, Wiper	
4 Door	88-89 GK59-67-360 90-92 GK59-67-360

MAZDA 626 1988-92

WINDSHIELD Cont'd

5 Door	88-89 GJ83-67-360
	90-92 GK59-67-360
11 Motor, Wiper	GJ84-67-340A
12 Nozzle, Spray	R/L DB02-67-510
13 Reservoir Assy	
2WS	
USA Built	GJ21-67-480C
Japan Built	GJ26-67-480A
4WS	G239-67-480A
14 Tank, Reservoir	
2WS	
USA Built	GJ21-67-481B
Japan Built	GJ26-67-481
4WS	G239-67-481
15 Cap, Tank	
2WS	GJ21-67-483
4WS	G238-67-483
16 Bracket, Tank	
4WS	G238-67-485
17 Pump, Washer	
2WS	
USA Built	GJ21-67-482
Japan Built	GJ25-67-482
4WS	G238-67-482
18 Switch, Level	
2WS	
USA Built	GJ26-67-488
Japan Built	GJ26-67-488
4WS	G239-67-488
†Included w/Reservoir Assy	

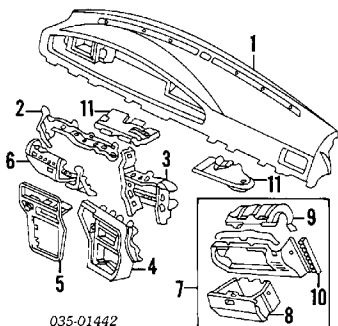
COWL & DASH



035-01682

1 Panel, Cowl Top	GJ21-70-610G
2 Baffle, Cowl	R GJ21-56-352
	L GJ21-56-362
	GJ21-53-510N
3 Panel, Dash Upper	
4 Panel, Dash Lower	
USA Built	GJ51-53-400C
Japan Built	GJ21-53-400E
5 Gusset, Dash Panel	
4 Door	R G211-70-0X0
	L G211-71-0X0A
5 Door	R GJ21-70-0X0
	L GJ21-71-0X0
6 Crossmember, Lower	
2WS	GJ21-53-450F
4WS	GM39-53-450B

INSTRUMENT PANEL



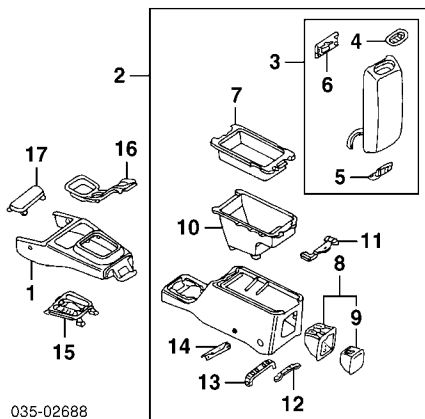
035-01442

1 Panel, Instrument	GJ21-60-350-48
†Blue listed, Order by Application	
19 Red; 43 Beige; 48 Blue; 71 Taupe; 96 Dark Gray	
Hood, Meter (a)	GK02-55-420C
(a) Order by Application	

2 Support, Panel	
w/Active Restraints	GJ21-60-42YA
w/Passive Restraints	GJ25-60-90YA
3 Support, Center	
w/Active Restraints	GJ21-60-420
w/Passive Restraints	GJ25-60-900
4 Panel, Center	GJ25-64-270B-48
5 Panel, Lower	
Man Trans	GJ25-64-280C-48
Auto Trans	GN55-64-280B-48
†Blue listed, Order by Application	
19 Red; 43 Beige; 48 Blue; 71 Taupe;	
96 Dark Gray	
6 Trim, Center Panel	GJ23-55-210
7 Glove Box Assy	GJ25-64-260F-48
8 Lid, Glove Box (a)	GJ25-64-030E-48
9 Cover, Glove Box (a)	GJ25-64-111
10 Cover, Side (a)	R GJ25-64-267-48
	L GJ25-64-287-48
†Blue listed, Order by Application	
19 Red; 43 Beige; 48 Blue; 71 Taupe; 96 Dark Gray	
(a) Included w/Glove Box Assy	
11 Panel, Under	
USA Built	R GN81-64-521A
	L GN81-64-530
Japan Built	R GJ21-64-521B
	L GJ21-64-530B
Radio Set	
DX Model	88-89 0000-81-312G
	90-92 0000-81-843E
LX Model	R 0000-81-312G
	L 0000-81-853E
Deck, Cassette	
DX Model	0000-81-371G
LX Model	0000-81-490G
Equalizer	88-89 0000-81-122G
	90-92 0000-81-128T
Speaker, Front	R/L 0000-81-2142-01
†Order by Application	

CENTER CONSOLE

W/ARMREST

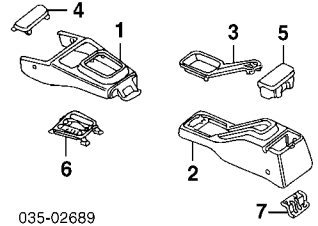


035-02688

1 Console, Front	
Man Trans	GJ21-64-320B-96
1988-89	
1990-92	
Leather	G392-64-320A-96
Urethane	GN51-64-320A-96
Auto Trans	GN52-64-320A-96
2 Console Assy, Rear	
w/Cassette Case	GJ23-64-420J-96
w/Active Restraints	GJ25-64-420C-96
w/Passive Restraints	GJ33-64-420C-96
w/o Cassette Case	GJ23-64-450A-96
3 Lid Assy, Rear Console (a)	GJ23-64-46Z-96
4 Knob, Console Lid (a) (b)	GJ23-64-46Y-96
5 Hinge, Console Lid (a) (b)	
†Dark Gray listed, Order by Application	
19 Red; 43 Beige; 48 Blue; 71 Taupe; 96 Dark Gray	
6 Lock, Console Lid (a) (b)	GJ23-64-46X
(b) Included w/Rear Console Lid Assy	
7 Tray, Console (a)	
w/Cassette Case	CJ23-64-442-96
w/o Cassette Case	CJ33-64-442-96
8 Ashtray Assy (a)	GJ21-64-660-96
9 Case, Inner Ashtray (a) (b)	GJ21-64-680-96
†Dark Gray listed, Order by Application	
19 Red; 43 Beige; 48 Blue; 71 Taupe; 96 Dark Gray	
(b) Included w/Ashtray Assy	
10 Box, Console (a)	88-89 GJ23-64-441A
	90-92 GJ25-64-441
11 Plate, Stopper (a)	GJ23-64-459
12 Bracket, Hinge (a)	GJ23-64-457
13 Bracket, Front (a)	
w/Cassette Case	GJ23-64-443
w/o Cassette Case	GJ33-64-443
14 Bracket, Rear (a)	GJ33-64-446
(a) Included w/Rear Console Assy	
15 Indicator	88-89 GJ24-64-350C
	90-92 GN52-64-350A

16 Plate, Upper	GJ23-64-430B-96
17 Panel, Switch	GJ21-64-323A-96
†Dark Gray listed, Order by Application	
19 Red; 43 Beige; 48 Blue; 71 Taupe; 96 Dark Gray	

W/O ARMREST

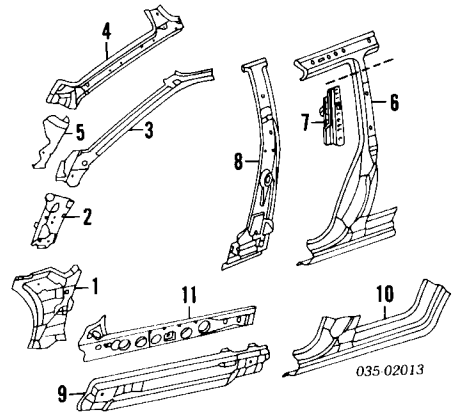


035-02689

1 Console, Front	GJ23-64-320B-96
2 Console, Rear	GJ21-64-42YA-96
3 Plate, Upper	GJ21-64-430-02
4 Panel, Switch	GJ21-64-323A-96
5 Ashtray	G030-64-660
†Dark Gray listed, Order by Application	
19 Red; 43 Beige; 48 Blue; 96 Dark Gray	
6 Indicator	GJ24-64-350C
7 Bracket, Console	GJ21-64-416

ROCKER/PILLARS/FLOOR

†Time is to Cut at Dotted Line in Illustration

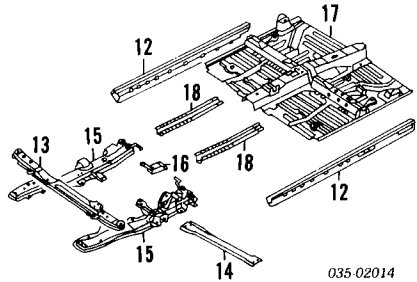


035 02013

1 Panel, Cowl Side	R GJ21-70-020C
	L GJ21-71-020C
Panel, Cowl Trim	R GJ21-68-370A-48
	L GJ21-68-390-48
†Blue listed, Order by Application	
19 Red; 43 Beige; 48 Blue; 71 Taupe; 96 Dark Gray	
2 Pillar, Lower Hinge	R GJ21-70-230
	L GJ21-71-230
3 Pillar, Upper Outer Hinge	
4 Door	R G211-70-220B
	L G211-71-220B
5 Door	R G225-70-220A
	L G225-71-220A
4 Pillar, Upper Inner Hinge	
4 Door	R G211-70-240
	L G211-71-240A
5 Door	R G225-70-240
	L G225-71-240
5 Brkt, Inst Panel	R/L GJ21-71-260
6 Pillar, Outer Center	
4 Door	R GJY9-70-350
	L GJY9-71-350
5 Door	R GJY7-70-350
	L GJY7-71-350
7 Reinf, Center Pillar	
4 Door	R GJ29-70-365
	L GJ29-71-365
5 Door	R GJ27-70-360B
	L GJ27-71-360B
8 Pillar, Inner Center	
4 Door	R GJ29-70-080C
	L GJ29-71-080B
5 Door	R GJ37-70-080B
	L GJ37-71-080B
Moulding, Center Pillar	
4 Door	R G211-50-8E0
	L G211-50-8F0
5 Door	R G225-50-8E0
	L G225-50-8F0
Panel, Pillar Inner Trim	
Upper-See Windshield Section	
Lower	R GJ29-68-220-48
	L GJ33-68-230-48
†Blue listed, Order by Application	
19 Red; 43 Beige; 48 Blue; 71 Taupe; 96 Dark Gray	
Panel, Rocker Outer	
9 Front	R G211-70-27X

MAZDA 626 1988-92

- 10 Rear 4 Door L G211-71-27X
 - 5 Door R GJY9-70-270A
 - Reinfr, Rocker L GJY9-71-270A
 - Plate, Front Scuff R GJY7-70-270A
 - Plate, Rear Scuff L GJY7-71-270A
 - 11 Reinfr, Rocker R G211-70-281A
 - Plate, Front Scuff L G211-71-281A
 - Plate, Rear Scuff R G211-68-710A-48
 - L G211-68-720A-48
 - R G211-68-730A-48
 - L G211-68-740A-48
- Blue listed, Order by Application
19 Red; 43 Beige; 48 Blue; 71 Taupe; 96 Dark Gray



- 12 Panel, Rocker Inner R GJ29-53-950
- L GJ29-54-950
- 13 Crossmember, Front GP34-34-850
- 14 Crossmember, Rear G309-34-861A
- 15 Frame, Front 2WS R GJ21-34-810H
- L GJ21-34-820H
- 4WS Man Trans R G309-34-810C
- L G309-34-820D
- Auto Trans R G238-34-810E
- L GJ21-34-820H
- GJ83-34-990
- 16 Damper, Dynamic
- 17 Pan, Front Floor 2WS GJ21-53-600D
- 4WS USA Built GJ21-53-600D
- Japan Built GM39-53-600
- 18 Frame, Front Floor R GJ21-53-660C
- L GJ21-54-660B

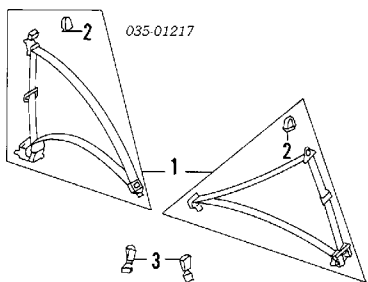
FRONT SEAT

- Adjuster, Seat Track 4 Door DX Model R GK87-88-60X
- L GK87-88-61X
- LX, 4WS, Turbo Model R GK87-88-60X
- L GK88-88-61XA
- 5 Door R GK94-88-60X
- L GJ22-88-61XA
- Adjuster, Recline Driver Side R GK87-88-101
- L GJ21-88-10Y
- Passenger Side R GJ21-88-15Y
- L GJ21-88-151

REAR SEAT

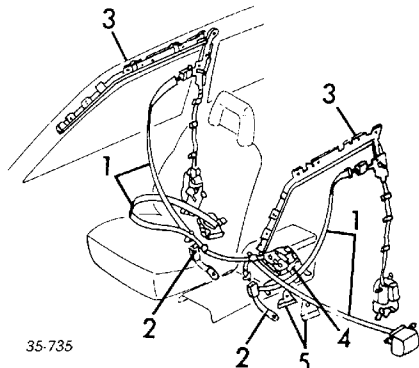
SEAT BELTS

FRONT ACTIVE RESTRAINT



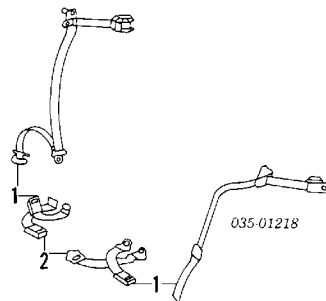
- 1 Belt, Front Seat Retractor R GJ30-57-630C-48
 - L GJ35-57-980B-48
 - 2 Cover, Anchor R GJ30-57-631A-48
 - L GJ30-57-691-48
 - 3 Buckle R GJ21-57-620C-48
 - L GJ21-57-680D-48
- Blue listed, Order by Application
19 Red; 43 Beige; 48 Blue; 71 Taupe; 96 Dark Gray

FRONT PASSIVE RESTRAINT



- 1 Belt, Seat R GJ30-57-630C-48
 - L GJ35-57-980B-48
 - 2 Buckle R GJ25-57-620D-48
 - L GJ25-57-680E-48
 - 3 Slide R GJ35-57-930E
 - L GJ35-57-990E
 - 4 Retractor, Center GN60-57-920-48
 - 5 Brkt, Retractor R GJ25-57-925B
 - L GN60-57-995
- Blue listed, Order by Application
19 Red; 43 Beige; 48 Blue; 71 Taupe; 96 Dark Gray

REAR



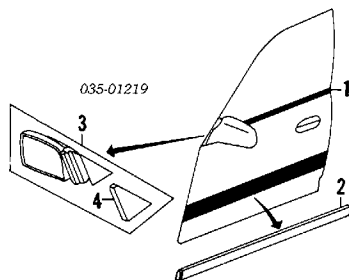
- 1 Retractor R/L GJ30-57-770E-48
 - 2 Belt, Center GJ21-57-740-48
- Blue listed, Order by Application
19 Red; 43 Beige; 48 Blue; 96 Dark Gray; 71 Taupe

FRONT DOOR

SHEET METAL

- Shell Assy, Door 4 Door R GJY9-58-020A
 - L GJY9-59-020A
 - 5 Door R GJY7-58-020
 - L GJY7-59-020
 - Panel, Door Repair USA Built To 6-3-91 R GJ29-58-031A
 - L GJ29-59-031A
 - From 6-3-91 R GJ29-58-031A
 - L GJ29-59-031A
 - Japan Built R GJ29-58-031A
 - L GJ29-59-031A
- Included w/Door Shell Assy

EXTERIOR TRIM



- 1 Moulding Assy, Belt Chrome R G211-50-640D
- L G211-50-650C

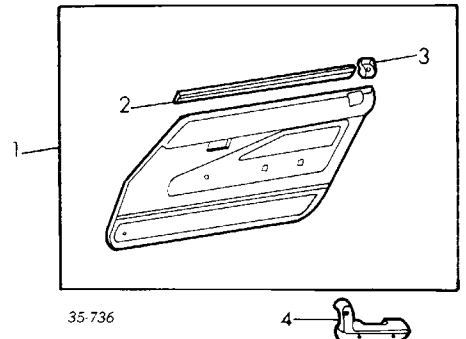
- Black R GM66-50-640B
 - L GM66-50-650B
 - Protector, Belt Moulding Front R G211-50-644
 - L G211-50-654
 - Rear R G211-50-645A
 - L G211-50-655A
- Included w/Belt Moulding Assy

- 2 Moulding, Side Adhesive 1988-89 R GN81-50-682
- L GN81-50-692
- 1990-92 USA Built R GN81-50-682
- L GN81-50-692
- Japan Built Black R G212-50-682
- L G212-50-692
- Body Color R G243-50-682-59
- L G243-50-692-59

Blue listed, Order by Application
UC Crystal White/Silver; PZ Brilliant Black/Silver;
SQ Blaze Red/Silver; 6L Graceful Red/Silver;
NU Vintage Red/Silver; 5N Brave Blue/Silver;
6S Exceed Green/Silver; 1H Steel Gray/Silver;
3L Silver Stone/Silver

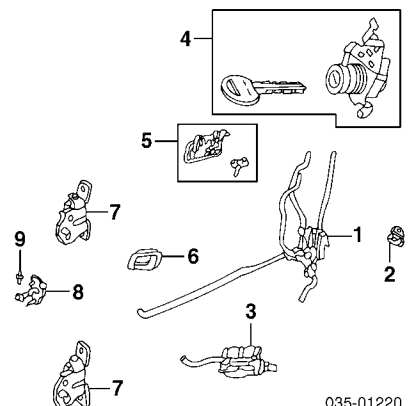
- 3 Mirror Assy, Rear View R GJ30-69-110C
 - L GJ30-69-170C
 - 4 Cover, Mirror Mount (a) R GJ30-69-111
 - L GJ30-69-171
- Order by Application
(a) Included w/Rear View Mirror Assy

INTERIOR TRIM



- 1 Panel Assy, Trim Vinyl R GJ29-68-420B-48
 - L GJ29-68-450B-48
 - Cloth R GJ30-68-420B-48
 - L GJ30-68-450B-48
 - Order by Application
19 Red; 43 Beige; 48 Blue; 71 Taupe; 96 Dark Gray
 - 2 Weatherstrip, Inner (a) R G211-58-821A
 - L G211-59-821A
 - 3 Trim, Lock (a) R/L GJ21-68-421A-48
 - Pocket, Map (a) (b) R GJ30-68-4C0A-48
 - L GJ29-68-455-48
 - Handle, Pull (a) (b) R G214-68-4A4-48
 - L G214-68-4A5-48
 - (a) Included w/Trim Panel Assy
(b) For Cloth Trim Panel
 - 4 Armrest (c) R BF70-69-370C-48
 - L BF70-69-390C-48
- Blue listed, Order by Application
19 Red; 43 Beige; 48 Blue; 71 Taupe; 96 Dark Gray
(c) For Vinyl Trim Panel

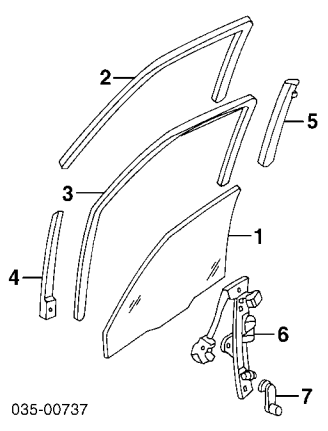
HARDWARE



- 1 Latch

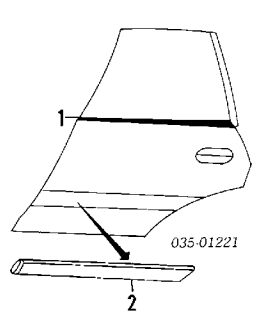
MAZDA 626 1988-92

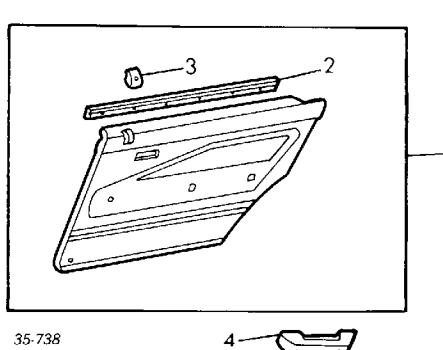
FRONT DOOR Cont'd	
HARDWARE Cont'd	
w/Theft Deterrent	R GJ30-58-310A L GJ32-59-310A
w/o Theft Deterrent	R GN54-58-310B L GJ30-58-310A
*Order by Application	
Striker, Latch	R/L B001-58-361A
3 Actuator, Power Lock	R/L GJ29-58-350C
4 Cylinder w/Key	
w/Theft Deterrent	R GJ30-76-210 L GJ30-76-220
w/o Theft Deterrent	R GJ29-76-210C L GJ29-76-220C
5 Handle, Outside	
Chrome	R G211-58-410C L G211-59-410C
Body Color (a)	R G212-58-410C-UC L G212-59-410C-UC
(a) White listed, Order by Application UC Crystal White/Silver; PZ Brilliant Black/Silver; SQ Blaze Red/Silver; 6L Gracelul Red/Silver; NU Vintage Red/Silver; 5N Brave Blue/Silver; 6S Exceed Green/Silver; 1H Steel Gray/Silver; 3L Silver Stone/Silver	
Joint, Connecting	R/L H043-72-411
6 Handle, Inside	R H260-72-330A-48 L H260-73-330A-48
*Blue listed, Order by Application 19 Red; 43 Beige; 48 Blue; 71 Taupe; 96 Dark Gray	
7 Hinge	
Upper	R/L G00D-59-240B
Lower	R/L G00D-58-240A
8 Check, Door	R/L G211-58-270
9 Pin, Check	R/L H260-58-265C
W/Strip, On Door	
Lower	R G211-58-76X L G211-59-76X
W/Strip on Body	
4 Door	R G211-58-760 L G211-59-760
5 Door	R G225-58-760 L G225-59-760
Welt, Seaming	
4 Door	R GJ33-68-911A-48 L GJ33-68-912B-48
5 Door	R GJ37-68-911A-48 L GJ37-68-912A-48
*Blue listed, Order by Application 19 Red; 43 Beige; 48 Blue; 71 Taupe; 96 Dark Gray	

GLASS & PARTS	
	
035-00737	
1 Glass, Front Door	
Mazda (Tint)	R G211-58-510E L G211-59-510E
4 Door	R G225-58-510E L G225-59-510E
5 Door	
2 Weatherstrip, Glass	
4 Door	R G211-58-76YA L G211-59-76YA
5 Door	R G225-58-76YA L G225-59-76YA
3 Run, Glass	
4 Door	R G211-58-605B L G211-59-605B
5 Door	R G225-58-605B L G225-59-605B
4 Guide, Front	
4 Door	R G211-58-601 L G211-59-601
5 Door	R GJ21-58-601B L GJ21-59-601B
5 Guide, Rear	
4 Door	R G211-58-61Y L G211-59-61Y
5 Door	R G225-58-61Y L G225-59-61Y
6 Regulator Assy	
Manual	R G211-58-560B

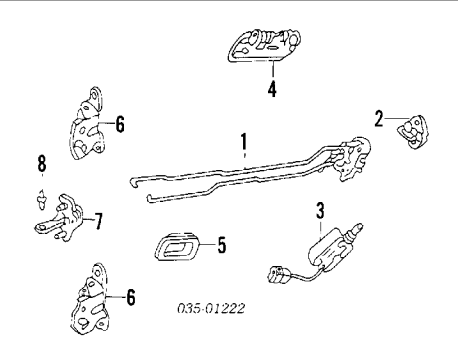
Power	L G211-59-560B
4 Door	R G212-58-560E L H261-59-598
5 Door	R G226-58-560C L G226-59-560C
7 Handle, Regulator (a)	R/L B092-58-580-48
(a) Blue listed, Order by Application 19 Red; 43 Beige; 48 Blue; 71 Taupe; 96 Dark Gray	
Motor, Regulator	R G212-58-560E L H261-59-598
Guide, Regulator	
4 Door	R G212-58-590 L H261-59-598
5 Door	R G226-58-590 L G226-59-590
*Included w/Power Regulator Assy	

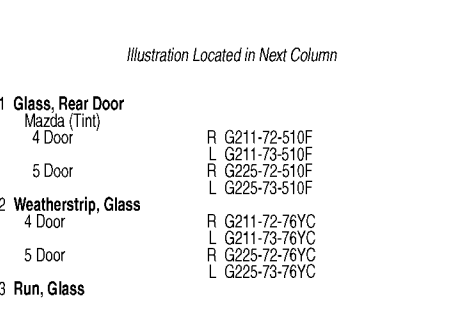
REAR DOOR	
SHEET METAL	
Shell Assy, Door	
4 Door	R GJY9-72-020A L GJY9-73-020A
5 Door	R GJY7-72-020 L GJY7-73-020
Panel, Door Repair	
USA Built	R G00D-72-031 L G00D-73-031
To 6-3-91	R G00D-72-031 L G00D-73-031
From 6-3-91	R G00D-72-031 L G00D-73-031
Japan Built	R G00D-72-031 L G00D-73-031
*Included w/Door Shell Assy	

EXTERIOR TRIM	
	
035-01221	
1 Moulding Assy, Belt	R G211-50-660D L G211-50-670D
Protector, Belt Moulding	
Front	R G211-50-664 L G211-50-674
Rear	R G211-50-665 L G211-50-675
*Included w/Belt Moulding Assy	
2 Moulding, Side	
Adhesive	
1988-89	R GN81-50-683 L GN81-50-693
1990-92	
USA Built	R GN81-50-683 L GN81-50-693
Japan Built	
Chrome	R G212-50-683 L G212-50-693
Body Color	R G243-50-683-04 L G243-50-693-04
*Black/Silver listed, Order by Application UC Crystal White/Silver; PZ Brilliant Black/Silver; SQ Blaze Red/Silver; 6L Gracelul Red/Silver; NU Vintage Red/Silver; 5N Brave Blue/Silver; 6S Exceed Green/Silver; 1H Steel Gray/Silver; 3L Silver Stone/Silver	
Nameplate	
"4 WS"	G238-51-762

INTERIOR TRIM	
	
35-738	

1 Panel Assy, Trim	
Vinyl	R GJ29-68-520A-48 L GJ29-68-550A-48
Cloth	R GJ30-68-520C-48 L GJ30-68-550A-48
*Blue listed, Order by Application 19 Red; 43 Beige; 48 Blue; 71 Taupe; 96 Dark Gray	
2 Weatherstrip, Inner (a)	R G211-72-821B L G211-73-821B
3 Vessel, Inner Lock (a)	R/L GJ21-68-421A-48
Handle, Pull (a) (b)	R/L B110-68-435-48
*Blue listed, Order by Application	
Lamp, Courtesy (a) (b)	R G211-51-4D0A L G211-51-4C0A
(a) Included w/Trim Panel Assy (b) For Cloth Trim Panel	
4 Armrest (c)	R/L B100-69-37X-48
*Blue listed, Order by Application 19 Red; 43 Beige; 48 Blue; 71 Taupe; 96 Dark Gray	
(c) For Vinyl Trim Panel Only	

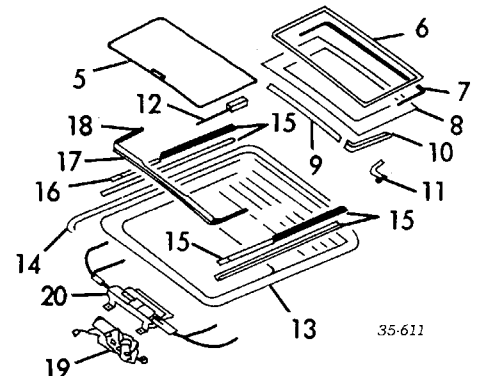
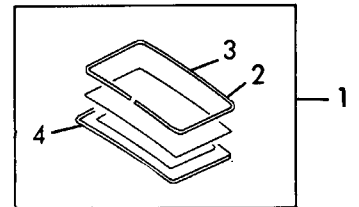
HARDWARE	
	
035-01222	
1 Latch	
DX Model	R G211-72-310C L G211-73-310C
LX Model	R GJ32-72-310C L GJ32-73-310C
*Order by Application	
Striker, Latch	R/L B001-58-361A
3 Actuator, Power Lock	R G212-72-350A L G212-73-350B
4 Handle, Outside	
Chrome	R G211-72-410B L G211-73-410B
Body Color	R G212-72-410A-5N L G212-73-410A-5N
*Blue listed, Order by Application UC Crystal White/Silver; PZ Brilliant Black/Silver; SQ Blaze Red/Silver; 6L Gracelul Red/Silver; NU Vintage Red/Silver; 5N Brave Blue/Silver; 6S Exceed Green/Silver; 1H Steel Gray/Silver; 3L Silver Stone/Silver	
5 Handle, Inside	R H260-72-330A-48 L H260-73-330A-48
*Blue listed, Order by Application 19 Red; 43 Beige; 48 Blue; 71 Taupe; 96 Dark Gray	
6 Hinge	
Upper	R G211-72-210B L G211-73-210A
Lower	R G030-72-240 L G030-73-240
7 Check, Door	R/L G211-72-270A
8 Pin, Check	R/L H260-58-265C
W/Strip, On Door	R/L G211-72-76X
W/Strip, On Body	
4 Door	R G211-72-760D L G211-73-760D
5 Door	R G225-72-760C L G225-73-760C
Welt, Seaming	
4 Door	R GJ33-68-921A-48 L GJ33-68-922A-48
5 Door	R GJ37-68-921A-48 L GJ37-68-922A-48
*Blue listed, Order by Application 19 Red; 43 Beige; 48 Blue; 71 Taupe; 96 Dark Gray	

GLASS & PARTS	
	
Illustration Located in Next Column	
1 Glass, Rear Door	
Mazda (Tint)	R G211-72-510F L G211-73-510F
4 Door	R G225-72-510F L G225-73-510F
5 Door	
2 Weatherstrip, Glass	
4 Door	R G211-72-76YC L G211-73-76YC
5 Door	R G225-72-76YC L G225-73-76YC
3 Run, Glass	

MAZDA 626 1988-92

SUNROOF

1988-89

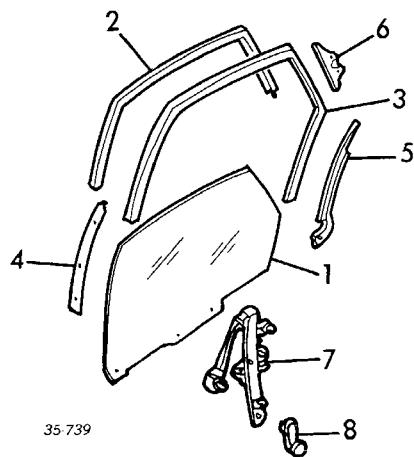


- 1 **Panel Assy, Sliding**
Steel Sunroof GJ24-69-810A
Glass Sunroof GJ22-69-810C
- 2 **Panel, Sliding**†-Serviced w/Sliding Panel Assy
- 3 **Weatherstrip, Panel**†
Steel Sunroof GJ24-69-825A
Glass Sunroof GJ22-69-825
- 4 **Retainer, W/Strip-Serviced w/Sliding Panel Assy**
†Included w/Sliding Panel Assy
- 5 **Sunshade (a)** 88-89 GJ52-69-891B-44
90-92 GJ22-69-891D-44
- 6 **Welt, Seaming (a)** GJ22-69-981A-44
(a) Light Blue listed, Order by Application
06 Light Gray; 44 Light Blue; 34 Light Taupe;
93 Light Beige
- 7 **Rail, Drip** R/L G034-69-856A
- 8 **Panel, Lower Cover, Lower Panel** G034-69-838B
- 9 **Center** GJ22-69-893
- 10 **Side** R GJ22-69-983A
L GJ22-69-984A
- Guide, Sunroof Panel**
- 11 **Front** R G034-69-839A
L G034-69-841A
- 12 **Rear**
Steel Sunroof R G034-69-842A
L G034-69-843A
Glass Sunroof R G038-69-842A
L G038-69-843A
- 13 **Frame, Sliding Roof**
w/Active Restraints GJ22-69-840
w/Passive Restraints GJ26-69-840
- 14 **Seal, Frame-Serviced w/Frame Assy**
- 15 **Rail, Guide**
Steel Sunroof R G034-69-842A
L G034-69-843A
Glass Sunroof R G038-69-842A
L G038-69-843A
- 16 **Cover, Guide Rail**
Steel Sunroof R G034-69-834A
L G034-69-835A
Glass Sunroof R/L G040-69-834-5
- 17 **Deflector** G034-69-845
- 18 **Link, Deflector** R/L G034-69-846-7
- 19 **Motor, Sliding Roof** G117-69-848A
- 20 **Bracket, Drive Unit Handle, Sliding Roof** GJ22-69-861
B004-69-855A

1990-92

†Illustration Located in Next Column

- 1 **Panel, Lower Glass, Sunroof** G034-69-838B
GJ22-69-810C
- 2 **Welt, Seaming**†
†Blue listed, Order by Application
06 Light Gray; 19 Red; 34 Light Taupe;
44 Light Blue
- 3 **Rail, Drip** G034-69-856A
- 4 **Cover, Lower Panel** GJ22-69-893
- 5 **Cover, Decoration** R GJ22-69-983A

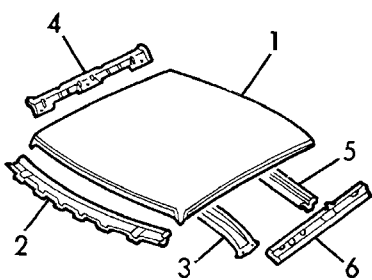


35-739

- 4 Door R G211-72-605C
L G211-73-605C
 - 5 Door R G225-72-605C
L G225-73-605C
 - 4 **Guide, Front**
4 Door R G211-72-607A
L G211-73-607A
 - 5 Door R G225-72-607A
L G225-73-607A
 - 5 **Guide, Rear**
4 Door R G211-72-603A
L G211-73-603A
 - 5 Door R G225-72-603B
L G225-73-603B
 - 6 **Bracket, Corner**
4 Door R G212-72-621A
L G212-73-621A
 - 5 Door R G226-72-621A
L G226-73-621A
 - 7 **Regulator Assy**
Manual R G211-72-560A
L G211-73-560B
 - Power
 - 4 Door R G212-72-560E
L G212-73-560E
 - 5 Door R G226-72-560E
L G226-73-560E
 - 8 **Handle, Regulator (a)** R/L B092-58-580-48
(a) Blue listed, Order by Application
19 Red; 43 Beige; 48 Blue; 71 Taupe; 96 Dark Gray
 - Motor, Regulator**†
4 Door R G212-72-58XA
L G212-73-580E
 - 5 Door R G226-72-58X
L G212-73-58XA
- †Included w/Power Regulator Assy

ROOF

SHEET METAL/EXTERIOR TRIM

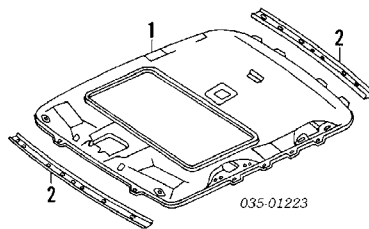


35-740

- 1 **Panel, Roof w/Sunroof**
4 Door GJY0-70-600
5 Door GJY8-70-600
- 4 Door GJY9-70-600
5 Door GJY7-70-600
- Rail, Drip**
- 4 Door Front R G211-70-311
L G211-71-311
- Rear R G211-70-312
L G211-71-312
- 5 Door Front R G225-70-311
L G225-71-311
- Rear R G225-70-312
L G225-71-312
- Moulding, Drip Rail**
- 4 Door R 8AG1-50-511

- 5 Door L 8AG1-50-531
R 8AG2-50-511
L 8AG2-50-531
- 2 **Header, Front**
4 Door G211-70-640
5 Door GJ21-70-640
- 3 **Bow, Center w/o Sunroof**
4 Door G211-70-661A
5 Door GJ21-70-661
- 4 **Reinforcement, Sunroof**
4 Door R G214-70-620A
L G214-71-620A
- 5 Door R G228-70-620C
L G228-71-620C
- 5 **Header, Rear**
4 Door G211-70-701
5 Door G225-70-700A
- Rail, Roof Outer Side**†-See Quarter Panel Section
†Serviced w/Outer Quarter Panel
- 6 **Rail, Roof Inner Side**
4 Door R GJ29-70-050C
L GJ29-71-050D
- 5 Door R GJ37-70-050A
L GJ37-71-050B
- Mast, Antenna**
- Manual 0000-81-0624
- Power
- 4 Door 0000-81-0528-SD
- 5 Door 0000-81-0528-CR
- Motor, Antenna** 0000-81-0529

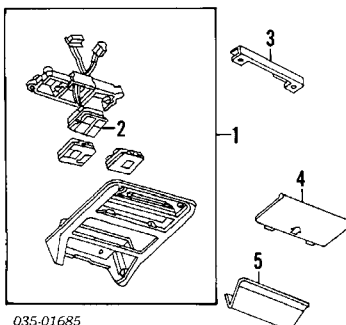
INTERIOR TRIM



035-01223

- 1 **Headliner**†
4 Door w/Sunroof 88-89 GJ34-68-030-44
90-92 GN54-68-030A-43
 - w/o Sunroof 88-89 GJ33-68-030D-44
90-92 GN52-68-030A-43
 - 5 Door w/Sunroof 88-89 GJ38-68-030-44
90-92 GN37-68-030-43
 - w/o Sunroof 88-89 GJ37-68-030-44
90-92 GJ37-68-030D-43
 - 2 **Moulding, Finish**†
Front G211-68-090-44
 - 4 Door G211-68-090-44
 - 5 Door GJ21-68-090-44
 - Side-See Windshield Section
 - Rear
 - 4 Door G211-68-130-44
 - 5 Door G225-68-130-44
- †Light Blue listed, Order by Application
04 Light Gray; 44 Light Blue; 84 Light Taupe;
93 Light Beige

OVERHEAD CONSOLE



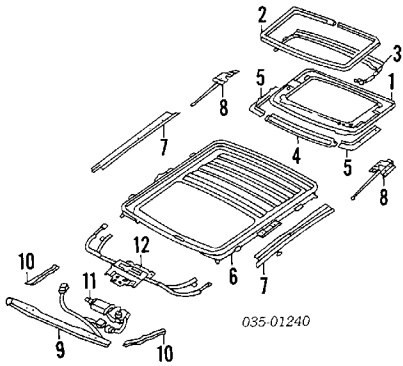
035-01685

- 1 **Console Assy, Overhead**† GJ21-69-870-06
†Light Gray listed, Order by Application
06 Light Gray; 19 Red; 34 Light Taupe;
44 Light Blue; 93 Light Beige
- 2 **Switch, Sliding Roof (a)** G117-69-87X
(a) Included w/Overhead Console Assy
- 3 **Bracket, Console** G034-69-851A
- 4 **Cover, Console Front**† GJ21-69-886-06
- 5 **Cover, Console Rear**† GJ21-69-887-06
†Light Gray listed, Order by Application
06 Light Gray; 19 Red; 34 Light Taupe;
44 Light Blue; 93 Light Beige

MAZDA 626 1988-92

SUNROOF Cont'd

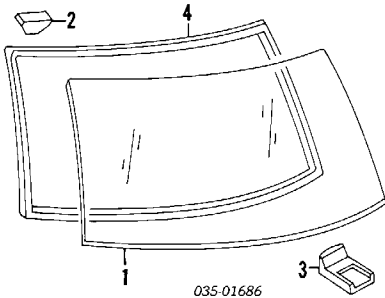
1990-92 Cont'd



035-01240

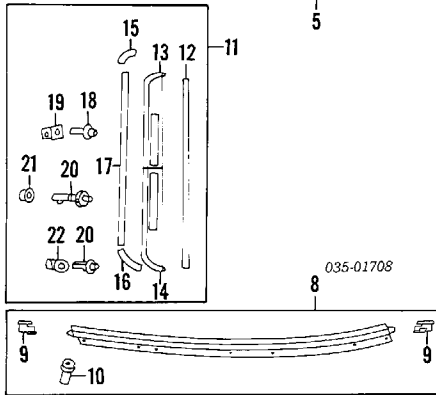
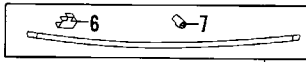
- 6 Frame, Sliding Roof L GJ22-69-984A
GJ26-69-840
- 7 Rail, Guide R G038-69-832A
L G038-69-833A
- 8 Guide, Rear R G038-69-842A
L G038-69-843A
- 9 Deflector G034-69-845
- 10 Link, Deflector R/L G034-69-846-7
- 11 Motor, Sunroof G117-69-848A
- 12 Brkt, Drive Unit GJ22-69-861

BACK WINDOW



035-01686

- 1 Glass, Back Window Mazda (Tint) USA Built GN81-63-931
Japan Built G211-63-931A
- 2 Spacer, Glass (4) GJ51-50-897
- 3 Spacer, Glass Lower (2) GJ51-50-891
- 4 Weatherstrip, Glass GA7B-50-899



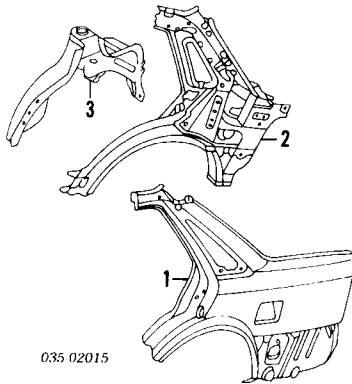
035-01708

- 5 Moulding Assy, Upper Reveal USA Built To 8-30-90 8AG1-50-611
From 8-30-90 8AG9-50-611
Japan Built 8AG1-50-611
- 6 Clip, Mldg (7) B092-50-609
- 7 Clip, Mldg (4) GJ21-50-6G8
†Included w/Upper Reveal Moulding Assy
- 8 Moulding Assy, Lower Reveal 8AG1-50-614
- 9 Cap, Mldg (a) R G211-50-6G1
L G211-50-6G2
- 10 Grommet, Lower Mldg (a) (6) H260-50-6K8
(a) †Included w/Lower Reveal Moulding Assy

- 11 Moulding Assy, Side R/L 8AG1-50-612-3
- 12 Retainer (b) R G211-50-6H5
L G211-50-6H6
- 13 Bracket, Upper Side (b) R G211-50-6J2
L G211-50-6J3
- 14 Bracket, Lower Side (b) R G211-50-6J4
L G211-50-6J5
- 15 Mldg, Upper Corner (b) R G211-50-6H1A
L G211-50-6H2A
- 16 Mldg, Lower Corner (b) R G211-50-6H3A
L G211-50-6H4A
- 17 Mldg, Outer (b) R/L G211-50-6H7
- 18 Bolt (b) (2/Side) R/L G211-50-6L7
- 19 Gasket (b) (2/Side) R/L B092-50-816
- 20 Fastener (b) (2/Side) R/L B130-51-918
- 21 Fastener (b) R/L G211-50-6L5
- 22 Fastener (b) R/L B130-51-919
(b) †Included w/Side Moulding Assy

QUARTER PANEL

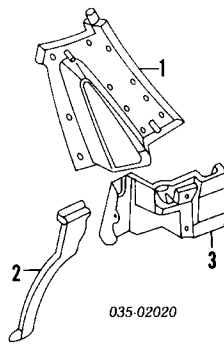
SHEET METAL 4 DOOR



035-02015

- 1 Panel, Outer Quarter R GJY9-70-41XB
L GJY9-71-41XB
- Door, Fuel G211-42-410A
- 2 Panel, Inner R GJ29-70-110A
L GJ29-71-110A
- 3 Panel, Wheelhouse USA Built R GJ23-70-150H
To 3-8-90 L GJ23-71-150F
From 3-8-90 R GJ23-70-150H
L GJ23-71-150F
Japan Built R G211-70-150D
L G211-71-150E

INTERIOR TRIM 4 DOOR



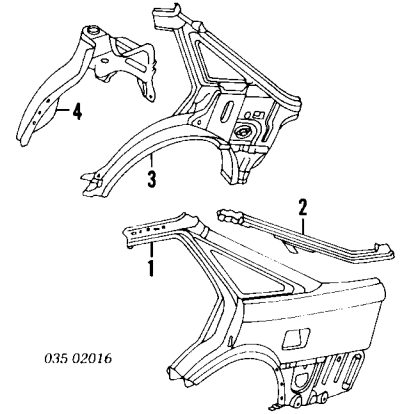
035-02020

- 1 Panel, Trim Upper† R GN81-68-250B-44
L GK59-68-260-44
- 2 Wheelhouse† R G211-68-760A-48
L G211-68-780A-48
- 3 Trim, Trunk Side† R G212-68-850-48
L G212-68-870-48
- Trim, Package Tray† GJ29-68-310D-48
- Speaker, Rear† R/L 0000-81-2142-01
†Blue listed, Order by Application
19 Red; 43 Beige; 48 Blue; 71 Taupe; 96 Dark Gray

SHEET METAL 5 DOOR

†Illustration Located in Next Column

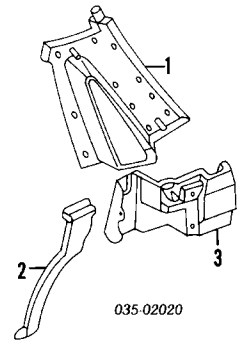
- 1 Panel, Outer Quarter R GJY7-70-41XA



035-02016

- 2 Pillar, Rear L GJY7-71-41XA
R G225-70-440
L G225-71-440
G211-42-410A
- Door, Fuel R GJ37-70-110B
- 3 Panel, Inner L GJ37-71-110B
- 4 Panel, Wheelhouse R G211-70-150D
L G211-71-150E

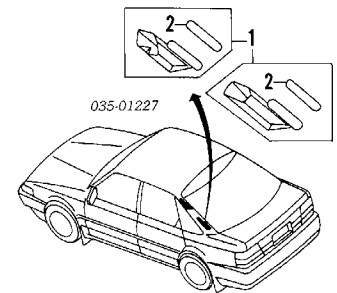
INTERIOR TRIM 5 DOOR



035-02020

- 1 Panel, Trim Upper† R GL65-68-250A-44
L GL65-68-260A-44
- 2 Wheelhouse† R G211-68-760A-48
L G211-68-780A-48
- Trim, Trunk Side† R GJ37-68-84X-48
L GJ37-68-86X-48
- 3 Upper R G225-68-850A-48
L G225-68-870A-48
- 4 Lower
- †Blue listed, Order by Application*
19 Red; 43 Beige; 48 Blue; 71 Taupe; 96 Dark Gray
- Speaker, Rear (a) 0000-81-5817-01
(a) †Order by Application

EXTERIOR TRIM 4 DOOR, 5 DOOR



035-01227

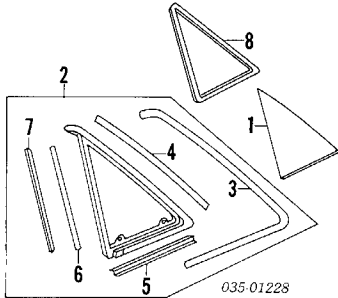
- 1 Chamber Assy, Extractor 4 Door R G211-51-920
L G211-51-940
- 5 Door Upper R G225-51-920
L G225-51-940
- Lower R G225-51-8V0
L G225-51-8W0
- 2 Gasket, Extractor† 4 Door R/L G211-51-922
5 Door R/L G225-51-922
Upper R/L G225-51-8V2
Lower *†Included w/Extractor Chamber Assy*

MAZDA 626 1988-92

- Mldg, Center Pillar
4 Door R G211-50-8E0
L G211-50-8F0
5 Door R G225-50-8E0
L G225-50-8F0

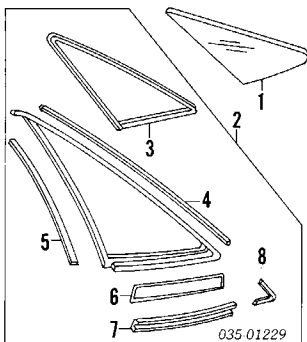
QUARTER GLASS

4 DOOR



- 1 Glass, Quarter Mazda (Tint) R G211-62-951
L G211-63-951
- 2 Moulding Assy, Reveal To 4-22-91 R G211-50-810C
L G211-50-820C
From 4-22-91 R GN51-50-810
L GN51-50-820
- Protector, Garnish¶
3 Rear Outer R/L G211-50-828
4 Rear Inner R/L G211-50-G27
To 4-22-91 R/L GR11-50-G27
From 4-22-91 R/L G211-50-813
5 Lower R G211-50-815
L G211-50-825
6 Front Inner R/L G211-50-814
7 Front Outer R/L G211-50-814
8 Weatherstrip ¶Included w/Reveal Moulding Assy
R/L G211-50-807

5 DOOR

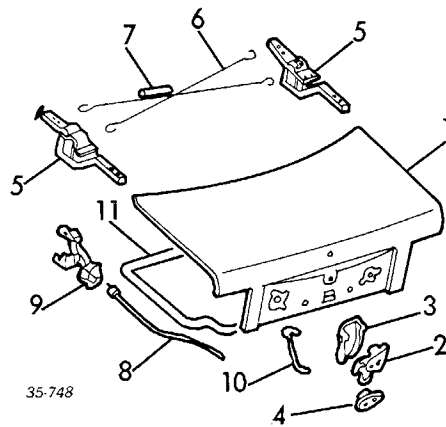


- 1 Glass, Quarter Mazda (Tint) R G225-62-951A
L G225-63-951A
- 2 Moulding Assy, Reveal Chrome R G225-50-810D
L G225-50-820D
Black R GM66-50-810D
L GM66-50-820D
- 3 Weatherstrip¶ R/L G225-50-807
- Protector, Garnish¶
4 Rear R/L G225-50-G27
5 Front R/L G226-50-815
6 Lower Inner R/L G226-50-813
7 Lower Outer R/L G225-50-812A
8 Corner R G225-50-819A
L G225-50-829A
¶Included w/Reveal Moulding Assy

LUGGAGE LID

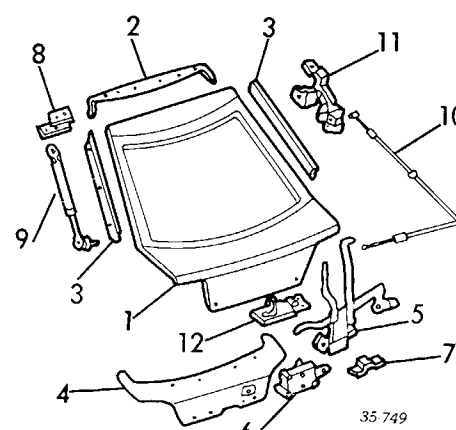
Illustration Located in Next Column

- 1 Lid, Luggage Moulding, Lid Nameplate Adhesive GJY9-52-610
8AG1-50-941
- Adhesive "2.2i" GJ21-51-771
"4 WS" G238-51-761A
"Turbo" GJ25-51-771
"Mazda" GJ21-51-710A
"Mazda 626" GJ21-51-720
- Panel, Outer Finish¶



- USA Built GN81-51-3AY-00
Japan Built GJ29-51-3A0
- ¶Blue listed, Order by Application
UC Crystal White; PZ Brilliant Black;
K3 Sunbeam Silver Met; VK Corn Beige
WY Noble White; 1E Bayside Blue Met;
1F Winning Silver Met; 1H Steel Gray Met
2E Nordic Green Met; 2H Claret Met
5A Sapphire Blue Met; 5G Prestige Silver Met
5N Brave Blue Met; 5P Porcelain Silver Met;
6L Graceful Red Met; 6N Currant Blue Met;
6S Exceed Green Met; 3L Silver Stone Met;
3N Warm Gray MC;
- 2 Latch GJ21-56-820B
3 Cover, Latch GJ21-56-823A
- 4 Latch Cylinder w/Key w/Theft Deterrent GJ30-76-230
w/o Theft Deterrent GJ29-76-230
- 5 Striker GJ21-56-840C
- 6 Hinge R G211-52-710C
L G211-52-720B
R/L G211-56-851-2
B130-56-805A
- 7 Spring, Balance G211-56-870A
8 Protector, Spring GJ29-56-880
9 Cable, Opener For Luggage Lid GJ22-56-860A
For Fuel Door G211-56-822
- 10 Lever, Opener G211-56-951B
- 11 Rod, Lid Opening G211-56-951B
- 12 Weatherstrip

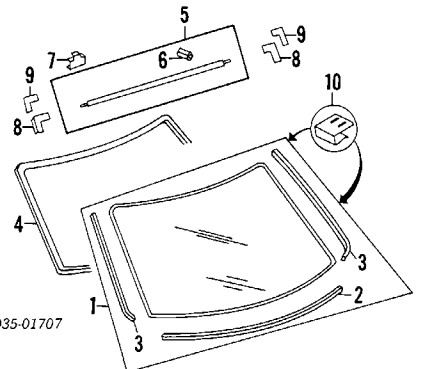
LIFTGATE



- 1 Shell, Gate Nameplate Adhesive GJY8-62-020
- "2.2i" GJ21-51-771
"Turbo" GJ25-51-771
"Mazda" GJ21-51-710A
"Mazda 626" GJ21-51-720
- Panel, Outer Finish¶ To 9-20-89 G225-51-3A0
From 9-20-89 GJ37-51-3A0-5D
¶Harbor Blue Met listed, Order by Application
DV Day Blue; UC Crystal White;
K3 Sunbeam Silver Met; PZ Brilliant Black;
VK Corn Beige; WY Noble White; 1E Bayside Blue Met
1F Winning Silver Met; 1H Steel Gray Met;
2E Nordic Green Met; 2H Claret Met; 3L Silver Stone Met;
5A Sapphire Blue Met; 5D Harbor Blue Met;
5G Prestige Silver Met; 5N Brave Blue Met;
5P Porcelain Silver Met; 6S Exceed Green Met;
6H Mellow Burgundy MC; 6L Graceful Red MC;
- Panel, Inner Trim¶ Upper G225-68-9X0-48

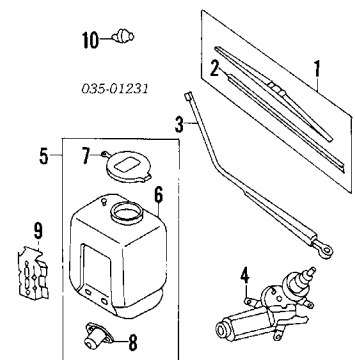
- 3 Side R G225-68-930-48
L G225-68-940-48
- 4 Lower GJ37-68-950-48
¶Blue listed, Order by Application
19 Red; 43 Beige; 48 Blue; 71 Taupe; 96 Dark Gray
GJ37-62-310C
- 5 Latch Cylinder & Key w/Theft Deterrent GJ38-76-260
w/o Theft Deterrent GJ37-76-260
- 6 Controller, Lock GJ37-62-350B
G225-62-361C
- 7 Striker G225-62-361C
- 8 Hinge R/L B01A-62-210
- 9 Stay (Prop) R 8BG2-62-620
L 8BG2-63-620
- 10 Cable, Fuel Lid Opener GJ37-56-880
11 Lever, Opener GJ22-56-860A
12 Handle, Outer G225-62-410A
Weatherstrip G225-62-761A

GLASS & PARTS



- 1 Glass Assy, Rear Gate Mazda (Tint) G225-63-930
- 2 Mldg, Lower Reveal¶ Chrome G225-50-6K0
Black G284-50-6K0
- 3 Mldg, Side Reveal¶ Chrome R/L G225-50-612-3
Black R/L G284-50-612-3
¶Included w/Rear Gate Glass Assy
- 4 Weatherstrip GA7B-50-899
- 5 Moulding Assy, Upper Reveal Chrome 8AG2-50-611
Black 8AG6-50-611
- 6 Clip, Mldg (a) (4) B093-50-918
(a) Included w/Upper Reveal Moulding Assy
- 7 Clip, Upper Mldg (6) To 9-1-87 B092-50-609
From 9-1-87 B092-50-919
- 8 Mldg, Upper Corner Chrome R G225-50-6HY
L G225-50-6JY
Black R GM66-50-6HY
L GM66-50-6JY
- 9 Gskt, Corner Mldg R G225-50-6H1
L G225-50-6H2
- 10 Clip, Window (4) G225-50-898

WIPER SYSTEM

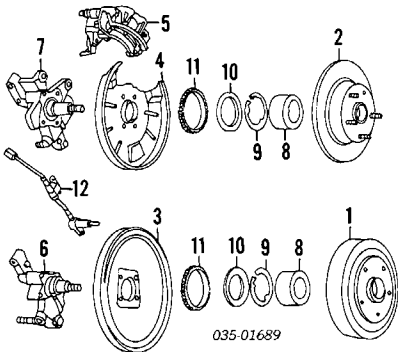


- 1 Blade Assy, Wiper FB02-67-330
- 2 Insert, Wiper¶ GA8A-67-331B
¶Included w/Wiper Blade Assy
- 3 Arm, Wiper G226-67-421A
- 4 Motor, Wiper G226-67-450A
- 5 Reservoir Assy, Washer G226-67-480
- 6 Tank, Washer G226-67-481
- 7 Cap, Tank¶ G226-67-483
- 8 Pump, Washer¶ 8532-76-672
¶Included w/Washer Reservoir Assy
- 9 Bracket, Reservoir G226-67-521
- 10 Nozzle, Spray B163-67-510

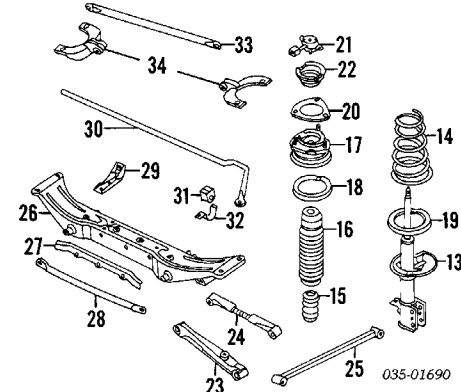
MAZDA 626 1988-92

REAR SUSPENSION

2WS

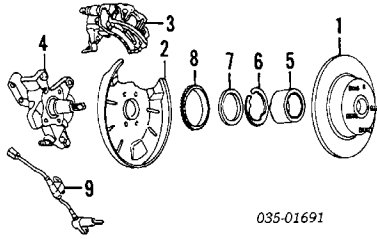


- | | | |
|-----------------------------------|-------|----------------|
| 1 Drum, Brake | R/L | GJ21-26-251B |
| 2 Rotor, Brake | R/L | GW55-26-251 |
| 3 Plate, Backing | R | GJ21-26-280B |
| | L | GJ21-26-290B |
| 4 Shield, Splash | R | GJ55-26-261A |
| | L | GJ55-26-271A |
| 5 Caliper, Brake | 88-89 | R GJY5-26-98ZR |
| | L | GJY5-26-99ZR |
| | 90-92 | R GJY5-26-98ZR |
| | L | GJY5-26-99ZR |
| Hose, Brake [†] | R/L | G030-43-980B |
| [†] Order by Application | | |
| Spindle, Hub | | |
| 6 Drum Brakes | R | GJ21-26-1A0C |
| | L | GJ21-26-1B0C |
| 7 Disc Brakes | R | GJ26-26-1A0B |
| w/ABS | L | GJ26-26-1B0B |
| | R | GJ25-26-1A0B |
| w/o ABS | L | GJ25-26-1B0B |
| 8 Bearing | R/L | GJ21-26-151-MV |
| 9 Circlip | R/L | GJ21-26-139 |
| 10 Seal, Bearing | R/L | GJ21-26-154 |
| 11 Rotor, ABS Sensor | R/L | GJ26-26-471B |
| 12 Sensor, ABS Wheel | R | G09A-43-71YA |
| | L | G09A-43-72YA |

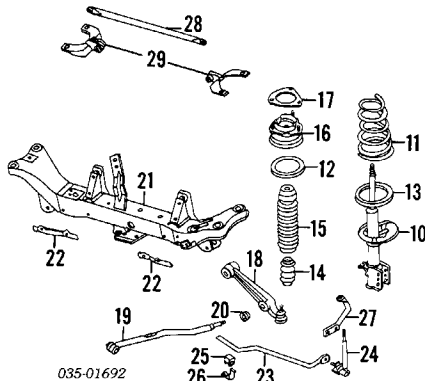


- | | | |
|------------------------------------|--------------|-----------------|
| 13 Strut [†] | R/L | GJ22-28-700F-9U |
| 14 Spring, Coil [†] | R/L | GJ21-28-011A |
| [†] Order by Application | | |
| 15 Stopper, Bumper | | |
| w/Turbo | R/L | KA11-34-111A |
| w/o Turbo | R/L | GJ21-28-111 |
| 16 Cover, Lever | R/L | GJ21-28-015 |
| 17 Seat, Spring | R/L | GJ21-28-380A |
| 18 Pad, Spring | | |
| Upper | R/L | GJ21-28-012A |
| Lower | R/L | M001-28-012B |
| 20 Pad, Seat | R/L | GJ21-28-013 |
| 21 Actuator, Upper (a) | R/L | GJ22-34-080A |
| 22 Casing, Actuator (a) | R/L | GJ22-28-084B |
| (a) For AAS Only | | |
| 23 Link, Front Lateral | R | G211-28-620B |
| | L | G211-28-630B |
| 24 Link, Rear Lateral | R/L | G211-28-600B |
| 25 Link, Trailing | 88-89 | R KA24-28-200 |
| | L | KA24-28-250 |
| | 90-92 | R KA31-28-200 |
| | L | KA31-28-250 |
| 26 Crossmember | GJ21-28-800B | |
| 27 Support, Crossmember | GJ21-28-804 | |
| 28 Rod, Performance-Not Applicable | | |
| 29 Bracket, Muffler | GJ21-28-840B | |
| 30 Bar, Stabilizer [†] | G211-28-151A | |
| [†] Order by Application | | |
| 31 Bushing, Bar | R/L | G067-28-156 |
| 32 Bracket, Bar | R/L | GJ21-28-155 |
| 33 Upper Strut Bar-Not Applicable | | |
| 34 Strut Plate-Not Applicable | | |

4WS



- | | | |
|-----------------------------------|-------|----------------|
| 1 Rotor, Brake | R/L | G238-26-251C |
| 2 Plate, Backing | R | G245-26-261 |
| | L | G245-26-271 |
| 3 Caliper, Brake | 88-89 | R G2Y8-26-98ZR |
| | L | G2Y8-26-99ZR |
| | 90-92 | R GK83-26-980B |
| | L | GK83-26-990B |
| Hose, Brake [†] | R/L | G238-43-810A |
| [†] Order by Application | | |
| 4 Spindle, Hub | R | G238-26-1A1 |
| | L | G238-26-1B1 |
| 5 Bearing | R/L | G238-26-151-MV |
| 6 Circlip | R/L | G717-26-139 |
| 7 Seal, Bearing | R/L | G717-26-154 |
| 8 Rotor, ABS Sensor | R/L | G238-26-471B |
| 9 Sensor, ABS Wheel | R | G238-43-71Y |
| | L | G238-43-72YA |

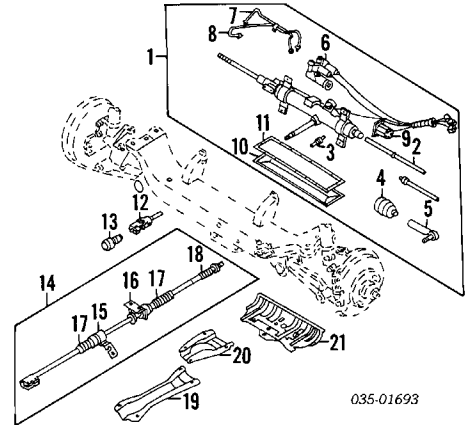


- | | |
|--------------------------------------|--------------|
| 10 Cover, Cont Box [†] | G238-32-A61 |
| 11 Gskt, Cont Box [†] | G238-32-A62A |
| [†] Included w/Gear Assy | |
| 12 Joint, Universai | G238-32-D14 |
| 13 Boot, Shaft | G238-32-D11 |
| 14 Shaft Assy, Connecting | |
| 1988-89 | |
| Man Trans | G322-32-A00 |
| Auto Trans | G238-32-A00A |
| 1990-92 | G238-32-A00A |
| 15 Support, Front Shaft (b) | G238-32-154 |
| 16 Support, Rear Shaft (b) | G238-32-155 |
| 17 Boot, Rack (b) (2) | G309-32-125 |
| 18 Boot, Dust (b) (2) | G292-32-125 |
| (b) Included w/Connecting Shaft Assy | |
| Protector, Connecting Shaft | |
| 19 Front | G238-32-464A |
| 20 Rear | G238-32-474 |
| 21 Protector, Gear Assy | G238-32-470A |

REAR STEERING LINKAGE/GEAR

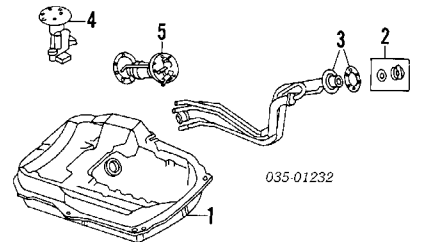
Illustration Located in Next Column

- | | |
|---|-----------------|
| 1 Gear Assy | G238-32-J60F |
| 2 Rod Assy, Mechanism Control [†] | R G309-32-E19 |
| | L G238-32-E50 |
| | G238-32-E19 |
| [†] Included w/Mech Control Rod Assy | |
| 3 Gear, Worm [†] | G238-32-E60 |
| 4 Boot [†] | R G238-32-A25 |
| | L G238-32-A26 |
| 5 Bail Joint Set [†] | R/L 8AG1-32-280 |
| 6 Filler, Control Box [†] | G238-32-F30 |
| 7 Pipe, Upper [†] | G238-32-D20 |
| 8 Pipe, Lower [†] | G238-32-D30 |
| 9 Motor, Stepping Control [†] | G238-32-E1XA |



- | | |
|---|----------------|
| 1 Tank, Fuel | GJ21-42-110G |
| 2WS | |
| 4WS | GM39-42-110K |
| 2 Cap Assy, Filler | |
| To 6-1-89 | BF67-42-250 |
| From 6-1-89 | GN60-42-250 |
| Gasket [†] | BF67-42-252 |
| [†] Included w/Filler Cap Assy | |
| 3 Pipe Assy, Filler | |
| 1988-89 | GJ29-42-210B |
| 1990-92 | GN51-42-210 |
| 2WS | GN60-42-210 |
| 4WS | GN60-42-210 |
| Gasket (a) | 0866-42-366B |
| (a) Included w/Filler Pipe Assy | |
| 4 Gauge, Tank Unit [†] | |
| 2WS | GJ22-60-960D |
| w/Digital Gauge | GJ21-60-960D |
| w/o Digital Meter | R G238-60-960A |
| 4WS | L G238-60-970B |
| 5 Pump Assy, Fuel [†] | |
| 2WS | F201-13-350H |
| 4WS | FE3N-13-350C |
| [†] Order by Application | |
| Gasket (a) | G114-60-962 |
| (a) Included w/Fuel Pump Assy | |

FUEL TANK



- | | |
|---|----------------|
| 1 Tank, Fuel | GJ21-42-110G |
| 2WS | |
| 4WS | GM39-42-110K |
| 2 Cap Assy, Filler | |
| To 6-1-89 | BF67-42-250 |
| From 6-1-89 | GN60-42-250 |
| Gasket [†] | BF67-42-252 |
| [†] Included w/Filler Cap Assy | |
| 3 Pipe Assy, Filler | |
| 1988-89 | GJ29-42-210B |
| 1990-92 | GN51-42-210 |
| 2WS | GN60-42-210 |
| 4WS | GN60-42-210 |
| Gasket (a) | 0866-42-366B |
| (a) Included w/Filler Pipe Assy | |
| 4 Gauge, Tank Unit [†] | |
| 2WS | GJ22-60-960D |
| w/Digital Gauge | GJ21-60-960D |
| w/o Digital Meter | R G238-60-960A |
| 4WS | L G238-60-970B |
| 5 Pump Assy, Fuel [†] | |
| 2WS | F201-13-350H |
| 4WS | FE3N-13-350C |
| [†] Order by Application | |
| Gasket (a) | G114-60-962 |
| (a) Included w/Fuel Pump Assy | |

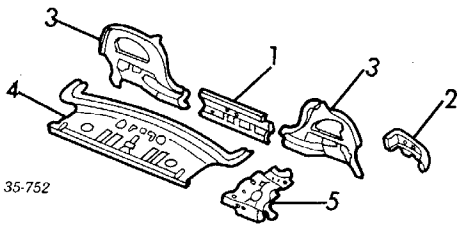
REAR BODY

SHEET METAL

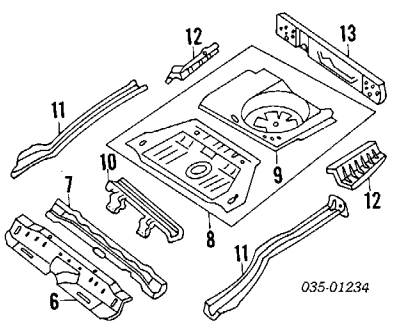
Illustration Located in Next Column

- | | |
|------------------------------------|----------------|
| 1 Panel, Rear End | |
| 4 Door | GJ21-70-750 |
| 5 Door | G225-70-750 |
| 2 Ext, Rear End Panel (Below Lamp) | |
| 4 Door | R G211-70-405A |

MAZDA 626 1988-92

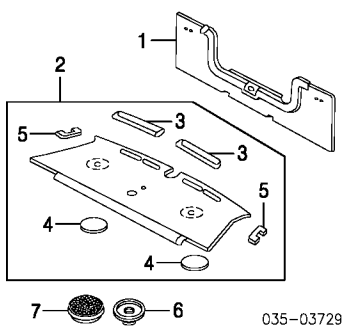


- 35-752
- 5 Door
 - L G211-71-405A
 - R G225-70-405A
 - L G225-71-405A
 - 3 Bracket, Lamp
 - 4 Door
 - R G211-70-490A
 - L G211-71-490A
 - 5 Door
 - R G225-70-490
 - L G225-71-490
 - 4 Panel, Package Tray
 - 88-89 GJ29-70-500B
 - 90-92 G211-70-500B
 - R/L G211-70-180A
 - 5 Joint, Package Tray
 - ††For 4 Door Only



- 035-01234
- 6 Crossmember, Upper G211-53-910
 - 7 Crossmember, Center Pan
 - 2WS GJ21-53-900B
 - 4WS G238-53-900
 - 8 Pan Assy, Rear Floor GJ21-53-710
 - 9 Pan, Rear Floor (a) GJ21-53-750B
 - ††Included w/Rear Floor Pan Assy
 - 10 Crossmember, Rear Pan
 - 2WS GJ21-53-920C
 - 4WS G238-53-920
 - 11 Frame, Rear Side
 - 1988-89
 - 2WS
 - R GJ29-53-810C
 - L GJ29-54-810D
 - 4WS
 - R GK83-53-810
 - L GK83-54-810
 - 1990-92
 - USA Built
 - R GJ29-53-810C
 - L GJ29-54-810D
 - Japan Built
 - R GJ29-53-810C
 - L GJ29-54-810D
 - 12 Panel, Floor Side
 - 2WS
 - R GJ21-53-730B
 - L GJ21-54-730D
 - 4WS
 - R GJ21-53-730B
 - L G238-54-730C
 - 13 Crossmember, Rear GJ21-53-980C

INTERIOR TRIM

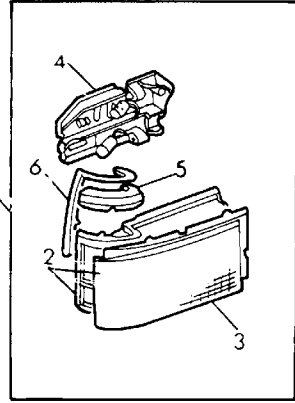


- 035-03729
- 1 Trim, Rear End
 - 1988-89
 - DX Model G211-68-890-96
 - LX Model G212-68-890-96
 - 1990-92
 - DX Model GN81-68-890-96
 - LX Model GN82-68-890-96
 - 2 Trim Assy, Package Tray
 - 1988-89 GJ29-68-310D-96
 - 1990-92 GN52-68-310C-96
 - 3 Grille, Extractor
 - (a) R/L GJ21-68-312-96
 - 4 Cover, Hole
 - (a) 88-89 R/L G116-68-324

- 5 Vessel, Seat Belt
 - (a) 90-92 R/L GJ29-68-3B1-96
 - ††Gray listed, Order by Application
 - (a) ††Included w/Package Tray Trim Assy
- 6 Speaker, Radio
 - w/CD Player R/L 0000-81-6142-01
 - w/o CD Player R/L 0000-81-5818-01
- 7 Grille, Speaker
 - R/L GN51-66-980B-98
 - ††Gray listed, Order by Application

REAR LAMPS

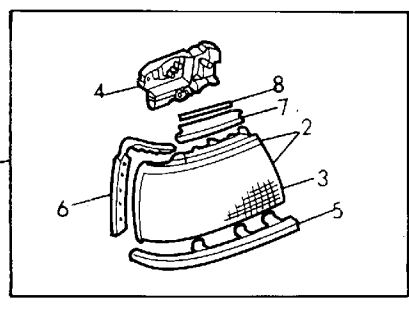
COMBINATION LAMP ON REAR BODY 4 DOOR



35-754

- 1 Lamp Assy, Combination
 - 88-89 R 8BGK-51-150
 - L 8BGK-51-160
 - 90-92 R 8DG8-51-150
 - L 8DG8-51-160
 - 2 Lens & Body Assy
 - 88-89 R GJ29-51-170
 - L GJ29-51-180
 - 90-92 R GN51-51-170
 - L GN51-51-180
 - 3 Lens
 - (a) 88-89 R GJ29-51-151
 - L GJ29-51-180
 - 90-92 R GN51-51-170
 - L GN51-51-161
 - (a) ††Included w/Lens & Body Assy
 - 4 Panel, Socket
 - R GJ29-51-155
 - L GJ29-51-165
 - 5 Moulding, Lamp
 - R G211-51-156
 - L G211-51-166
 - 6 Protector, Side
 - R G211-51-159
 - L G211-51-169
- ††Included w/Combination Lamp Assy
- Extension, Rear End Panel
-See Rear Body Section

COMBINATION LAMP ON REAR BODY 5 DOOR

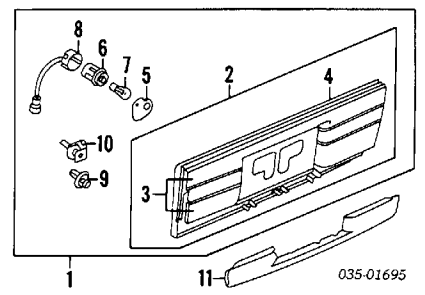


35-755

- 1 Lamp Assy, Combination
 - 88-89 R 8BGL-51-150B
 - L 8BGL-51-160B
 - 90-91 R 8DG9-51-150
 - L 8DG9-51-160
- 2 Lens & Body Assy
 - 88-89 R GJ37-51-170C
 - L GJ37-51-180C
 - 90 R GN70-51-170
 - L GN70-51-180
- 3 Lens
 - (a) 88-89 R GJ37-51-151B
 - L GJ37-51-161B
 - 90-91 R GN70-51-151
 - L GN70-51-161
- (a) ††Included w/Lens & Body Assy
- 4 Panel, Socket
 - 88-89 R GJ37-51-155
 - L GJ37-51-165
 - 90-91 R GN70-51-155
 - L GN70-51-165
- Bulb, Signal
 - R/L 0000-11-0168
- Bulb, Back-Up
 - R/L 0000-11-1156

- Bulb, Tail/Stop
 - R/L 0000-11-1157
 - R G226-51-156
 - L G226-51-166
 - 5 Moulding, Lamp
 - R G225-51-159
 - L G225-51-169
 - 6 Protector, Side
 - R G225-51-157
 - L G225-51-167
 - 7 Cover
 - R G225-51-157
 - L G225-51-167
 - 8 Protector, Cover
 - Gasket, Lens
 - 88-89 R/L G225-51-173A
 - 90-91 R G225-51-158
 - L G225-51-168
- ††Included w/Combination Lamp Assy
- Extension, Rear End Panel
-See Rear Body Section

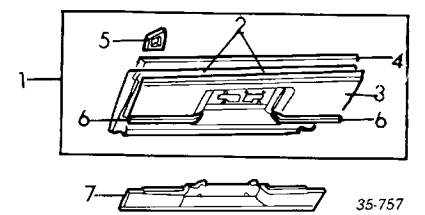
COMBINATION LAMP ON DECK LID 4 DOOR



035-01695

- 1 Lamp Assy, Combination
 - 88-89 8BG2-51-390
 - 90-92 8BGE-51-390
- 2 Lens & Housing Assy
 - 88-89 GJ29-51-39X
 - 90-92 GN51-51-39X
- 3 Lens
 - (a)
 - Center
 - 88-89 GJ29-51-3B2
 - 90-92 GN51-51-3B2
 - Outer
 - 88-89 R GJ29-51-3A5
 - L GJ29-51-3B5
 - 90-92 R GN51-51-3A5
 - L GN51-51-3B5
- 4 Protector, Lamp
 - (a) 1988-89 R/L G225-51-3A3
 - ††Included w/Lens & Housing Assy
- 5 Gasket, Lamp
 - 88-89 R/L G225-51-388
 - 90-92 R/L G211-51-388
- 6 Socket w/Wire
 - R/L GJ29-51-387
- 7 Bulb
 - R/L 0000-11-1157
- 8 Cap
 - 88-89 R/L GJ21-51-389
- 9 Fastener, Lamp
 - 1988-89 (2/Side) R/L B252-51-PJ5A
 - R/L G113-50-857A
 - 1990-92 R/L G225-51-3A4
- 10 Collar, Lamp
 - ††Included w/Combination Lamp Assy
- 11 Panel, Outer Finish-See Luggage Lid Section

COMBINATION LAMP ON DECK LID 5 DOOR



35-757

- 1 Lamp Assy, Combination
 - 88-89 8BGP-51-390
 - 90-91 8BGP-51-390
- 2 Lens & Housing Assy
 - 88-89 G225-51-39XB
 - 90-91 GN70-51-3H0
 - GN70-51-3H1
- 3 Lens
 - (a) ††Included w/Lens & Housing Assy
- 4 Protector
 - G225-51-3A3
- 5 Gasket, Lamp
 - G225-51-388
- 6 Moulding, Lamp
 - R/L G225-51-381-2
- ††Included w/Combination Lamp Assy
- 7 Panel, Outer Finish-See Rear/Liftgate Section

HIGH MOUNT STOP LAMP ON PACKAGE TRAY 4 DOOR

Illustration Located in Next Column

- 1 Lamp Assy, Stop
 - GJ29-51-580A-48
 - 2 Lens Unit
 - (a) GJ29-51-593-48
 - 3 Cover
 - (a) GJ29-51-587-48
- ††Blue listed, Order by Application
19 Red; 43 Beige; 48 Blue; 71 Taupe; 96 Dark Gray